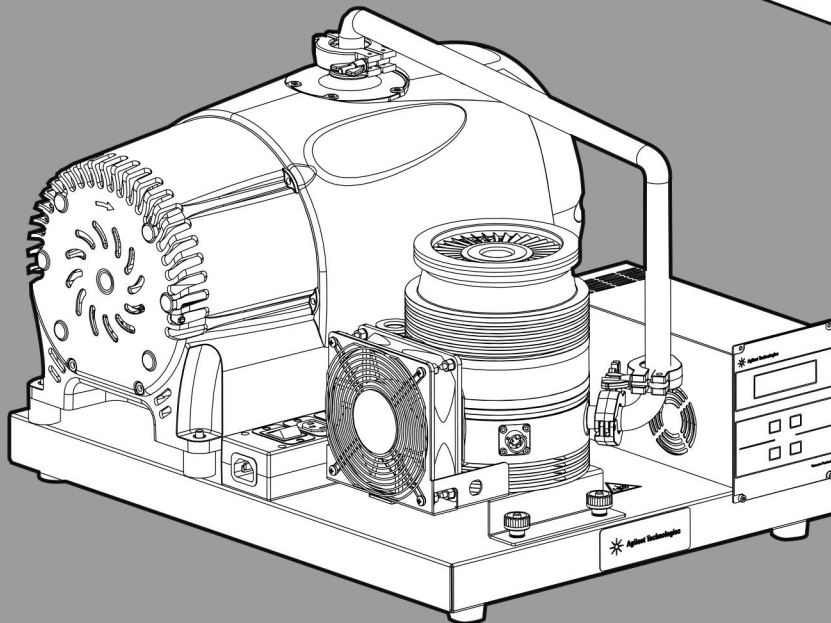
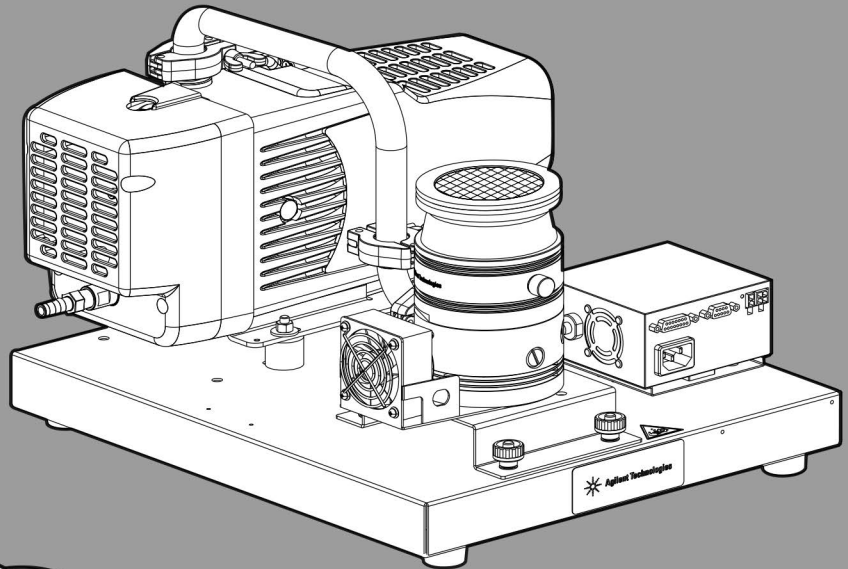




# Agilent TPS-flexy

## Quick Reference Assembly Guide



[WWW.JEVINSTRUMENTS.COM](http://WWW.JEVINSTRUMENTS.COM)



**United States**

Toll free: +1 800 882 7426

**Europe and other countries**

Toll free: 00 800 234 234 00

**China**

Toll free: 400 820 6778 (mobile)

Toll free: 800 820 6778 (landline)

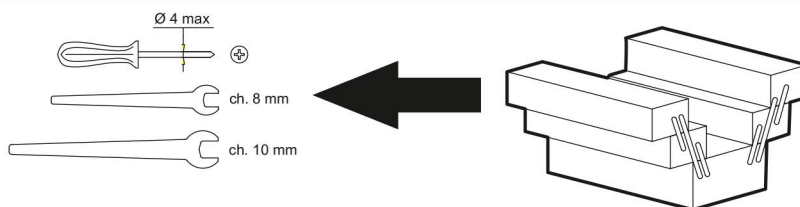
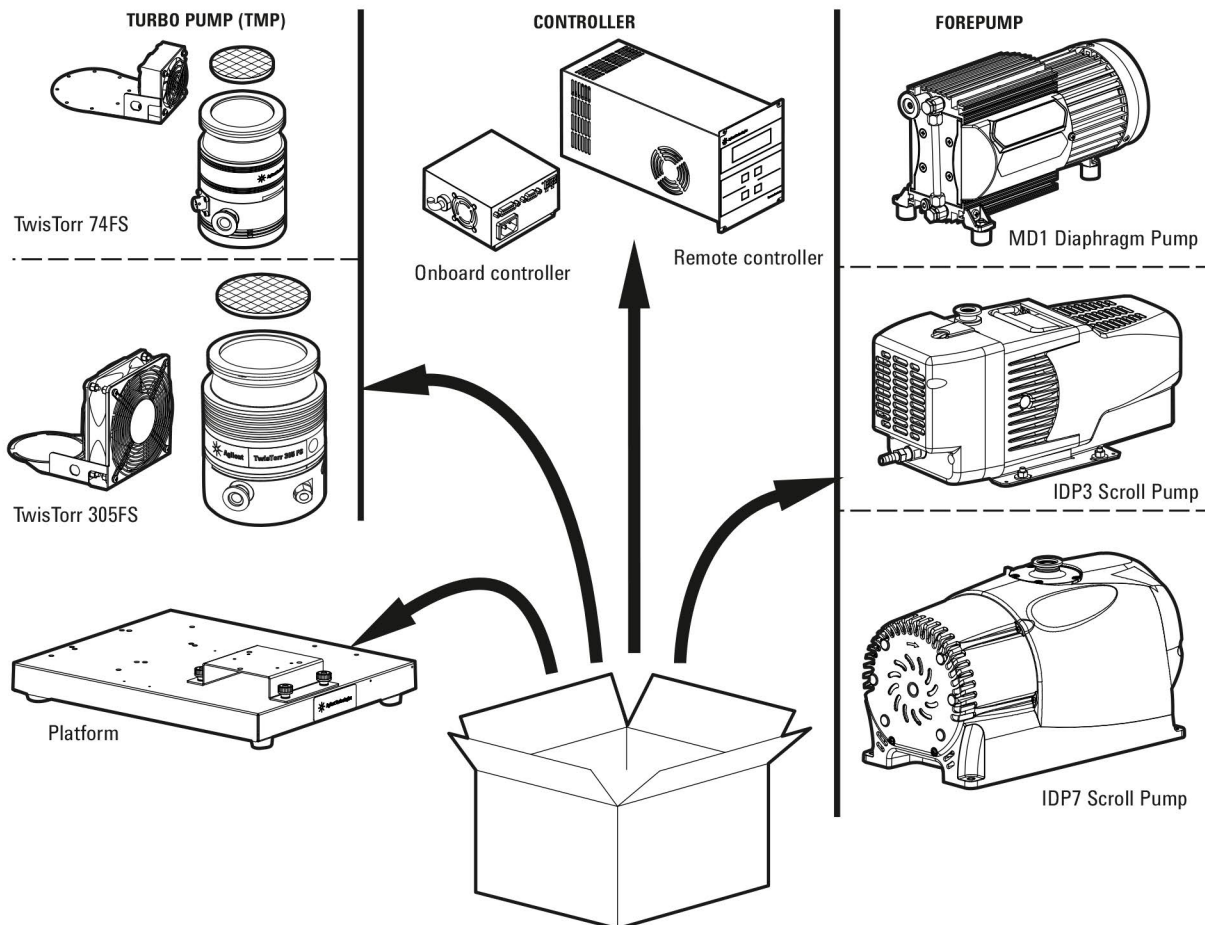


**Agilent Technologies**

**Code 87-900-149-01 (C.00) 07/2020**

# Agilent TPS-flexy Quick Reference Assembly Guide

**NOTE:** for the full list of available configurations please check the TPS-flexy Data Sheet on Agilent.com; you can find it here: [www.agilent.com/chem/tps-flexy-data-sheet](http://www.agilent.com/chem/tps-flexy-data-sheet)

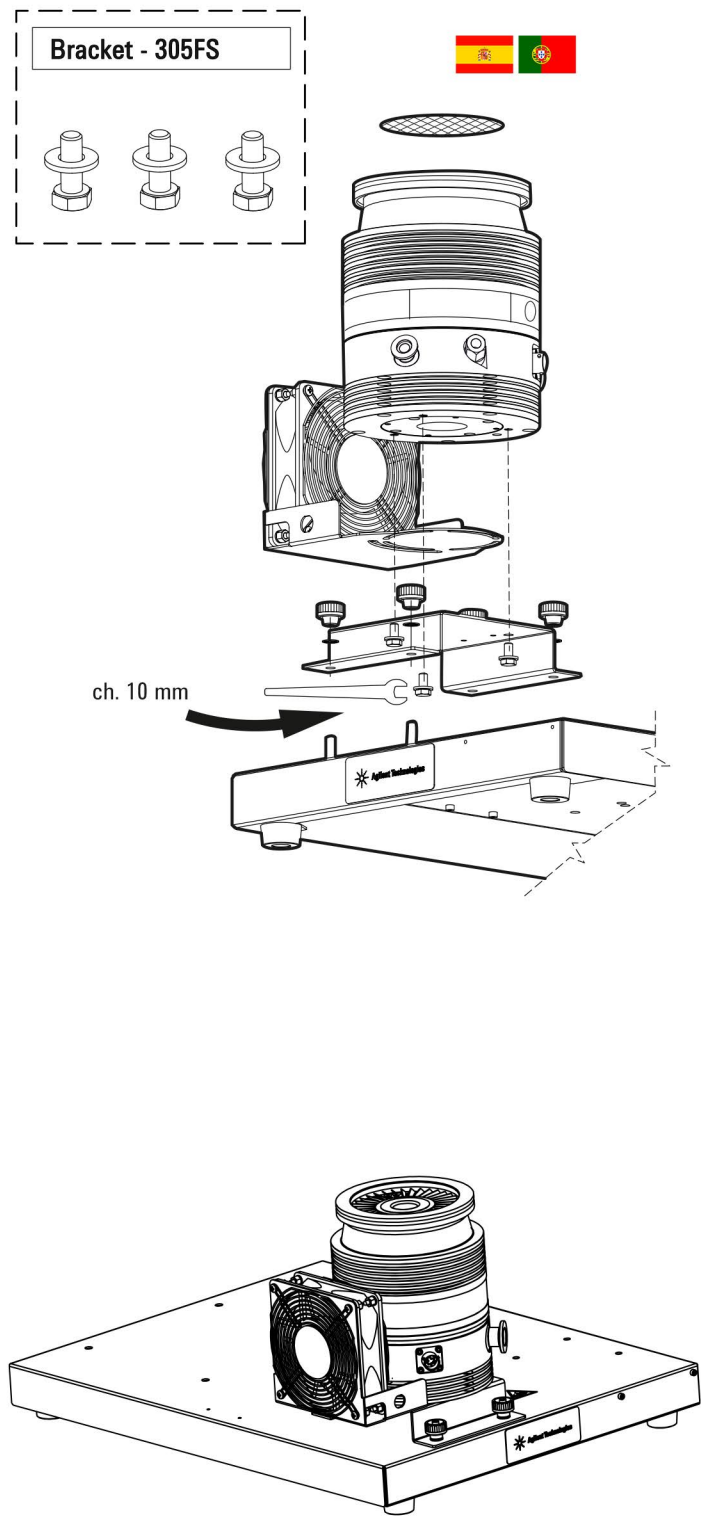
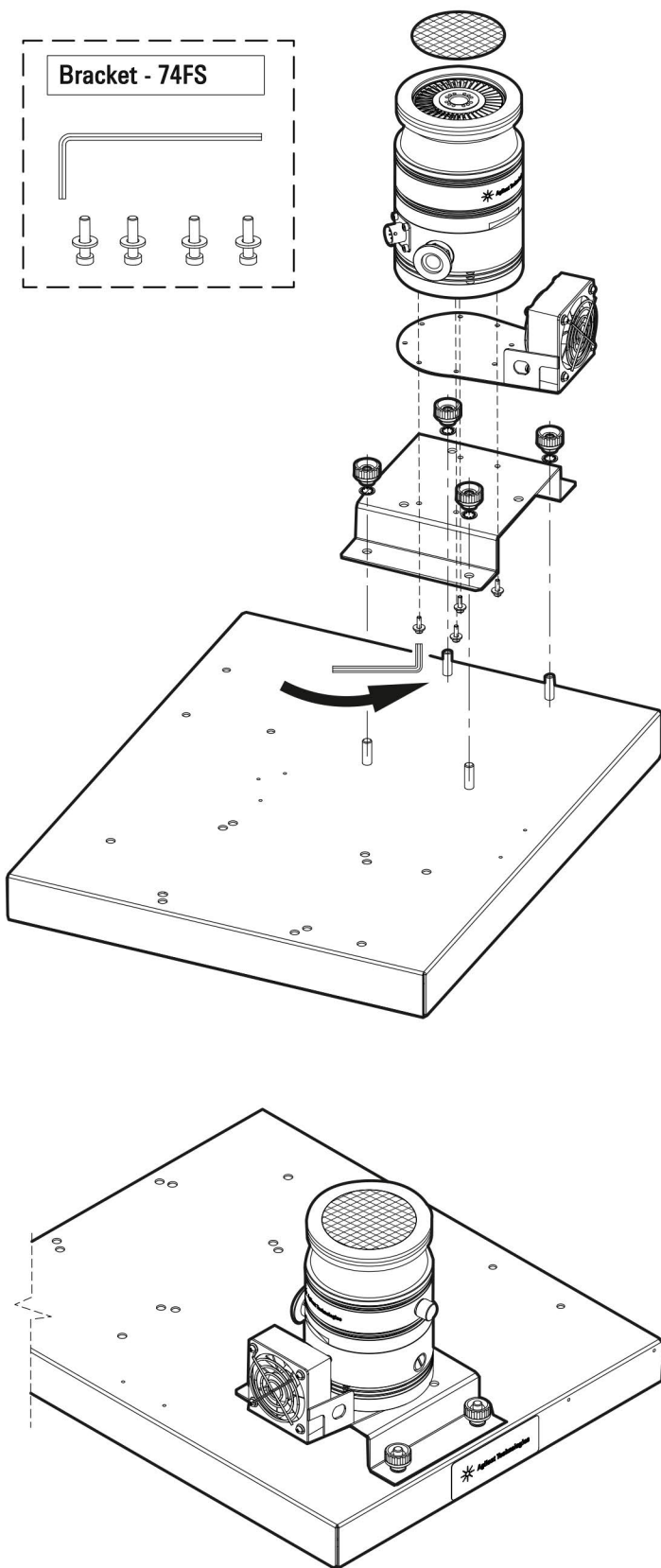


**JEVI**  
VACUUM  
INSTRUMENTS

[WWW.JEVINSTRUMENTS.COM](http://WWW.JEVINSTRUMENTS.COM)

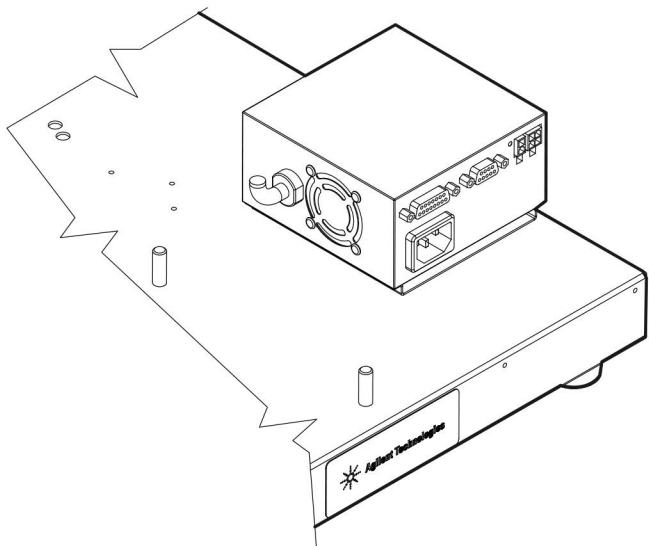
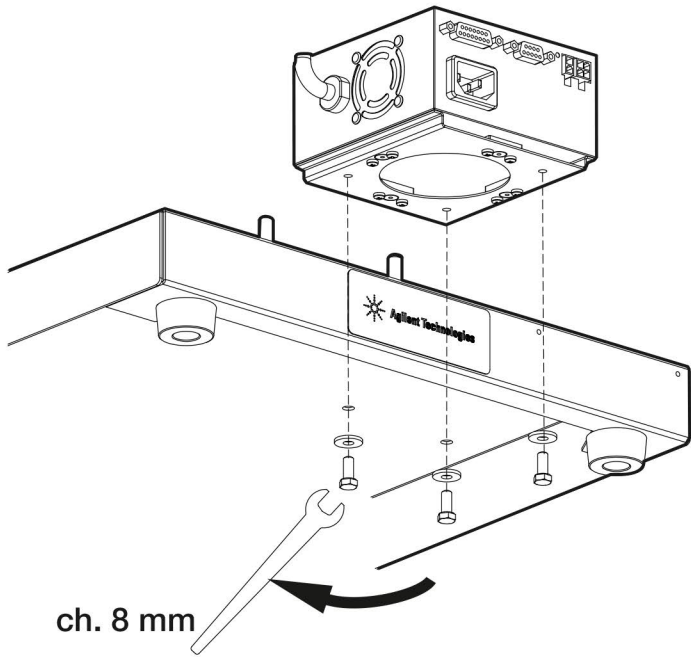
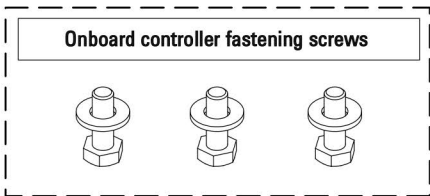
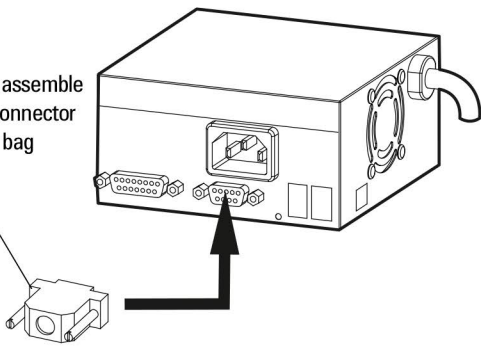


# Agilent TPS-flexy Quick Reference Assembly Guide

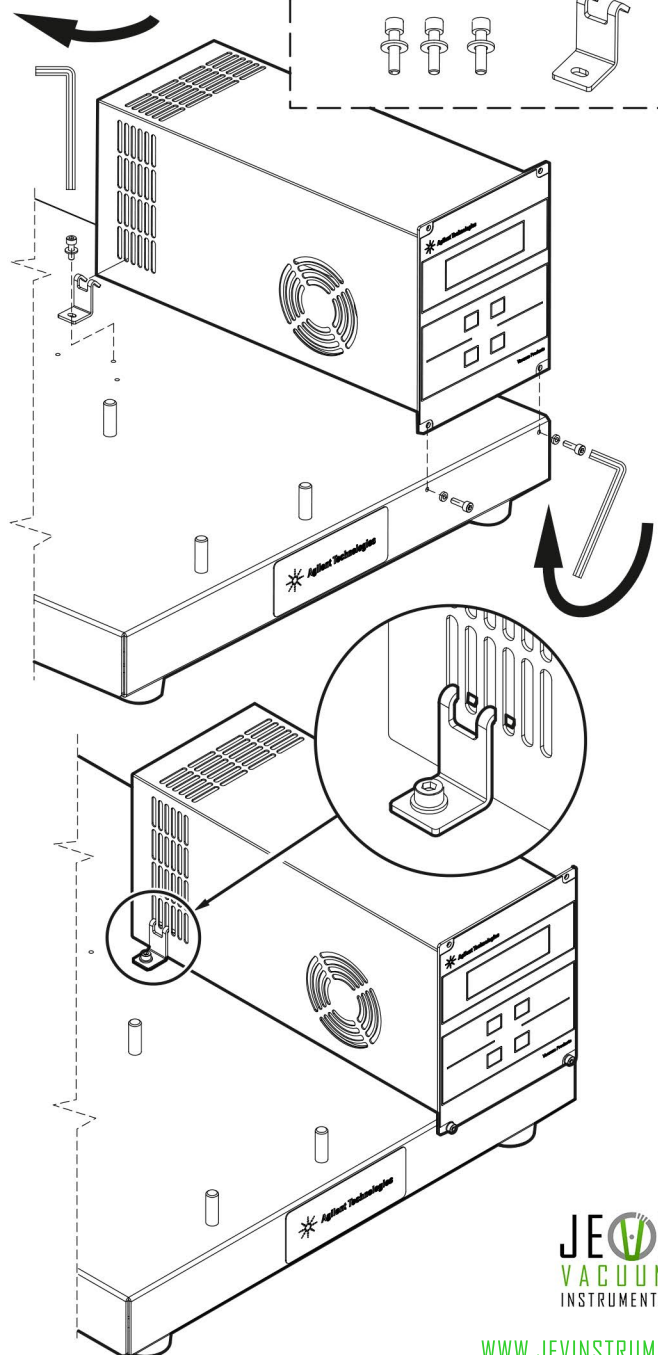
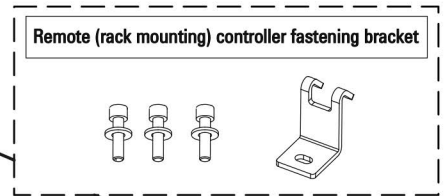
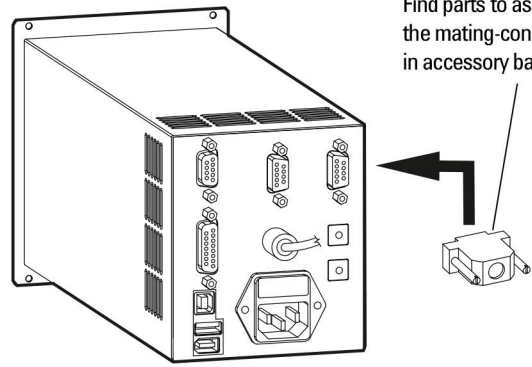


# Agilent TPS-flexy Quick Reference Assembly Guide

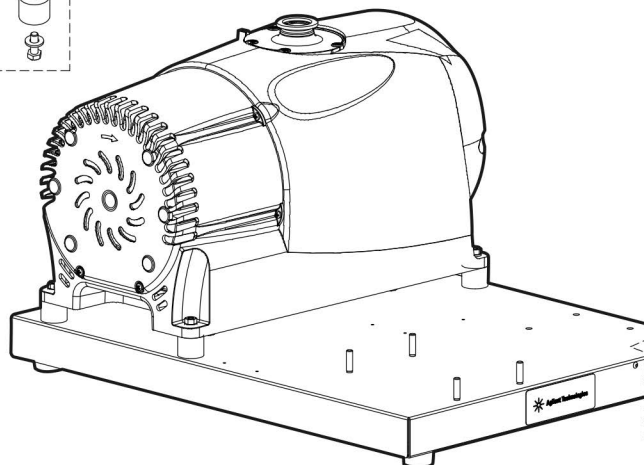
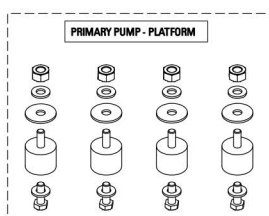
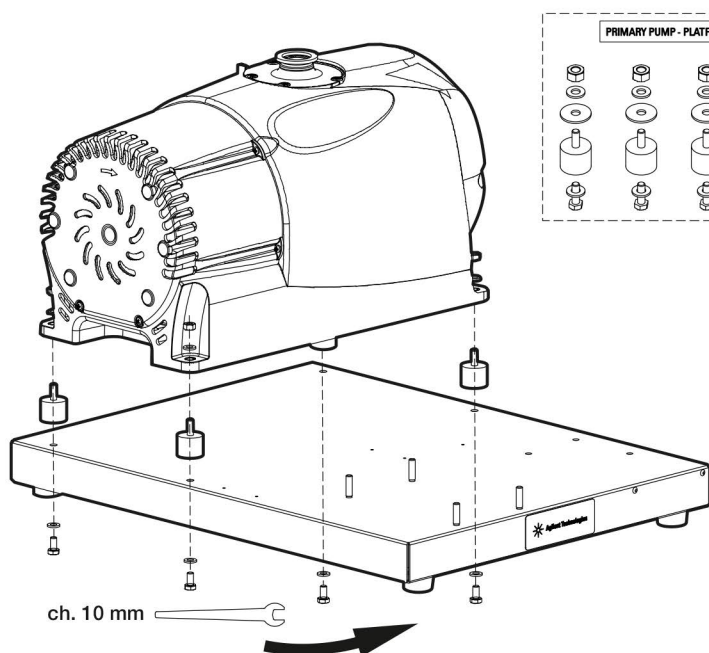
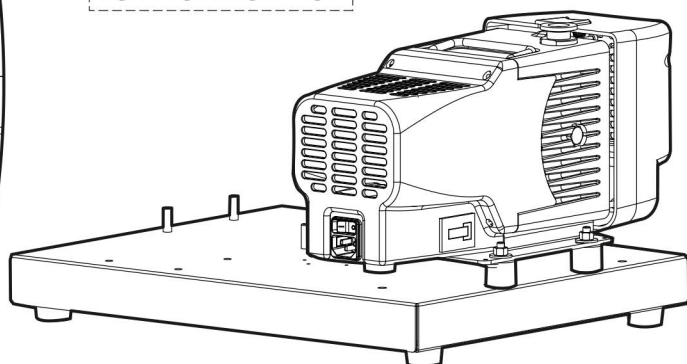
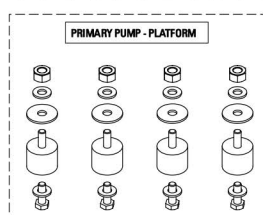
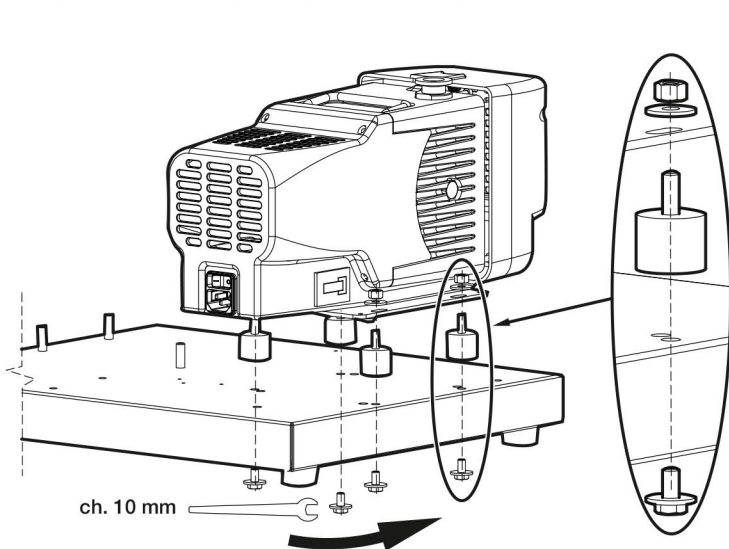
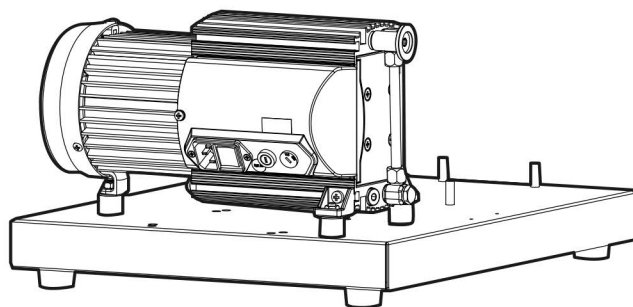
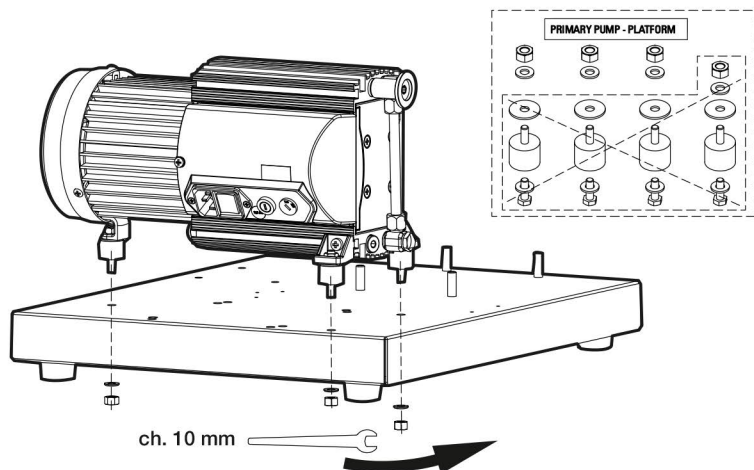
Find parts to assemble the mating-connector in accessory bag



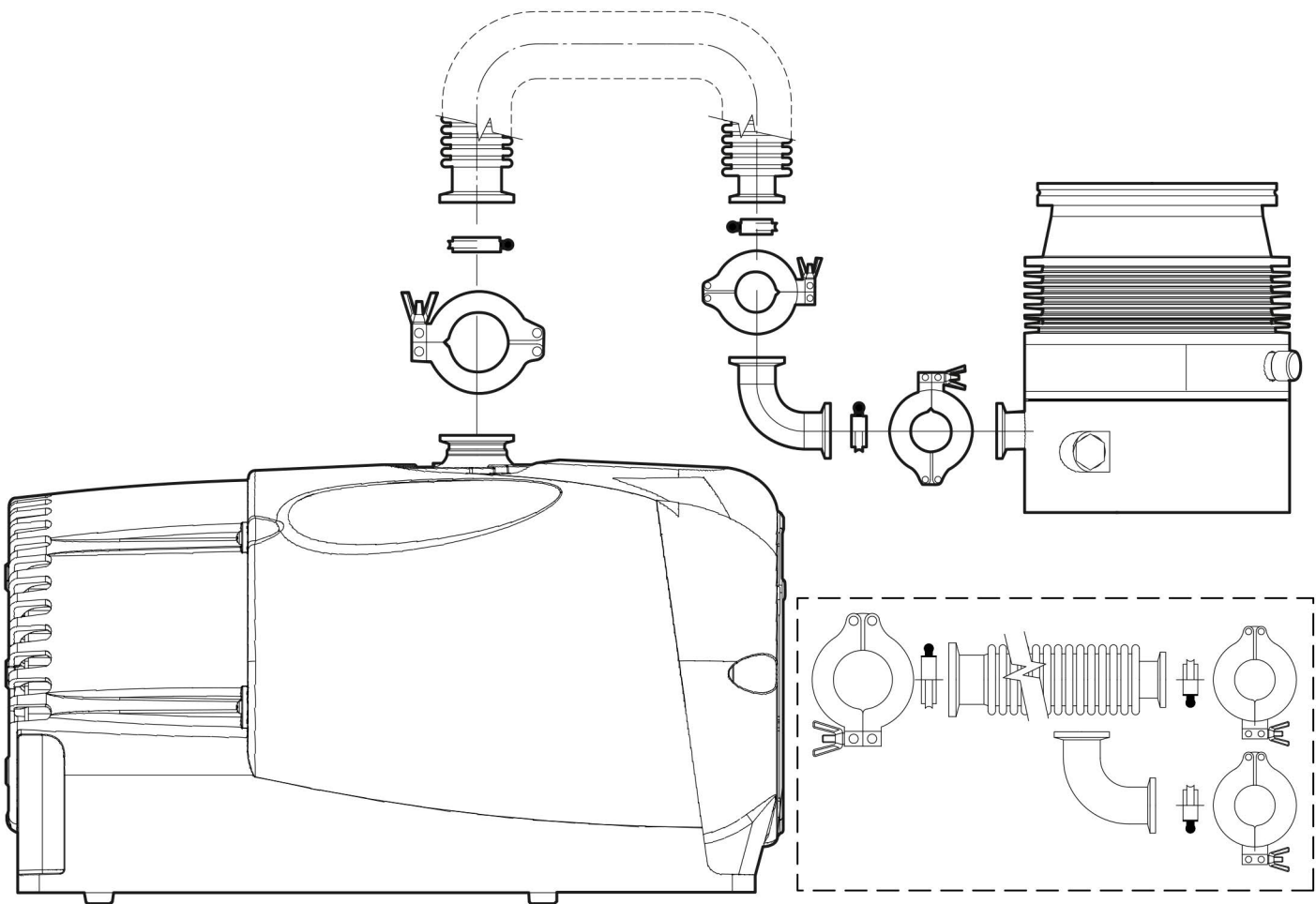
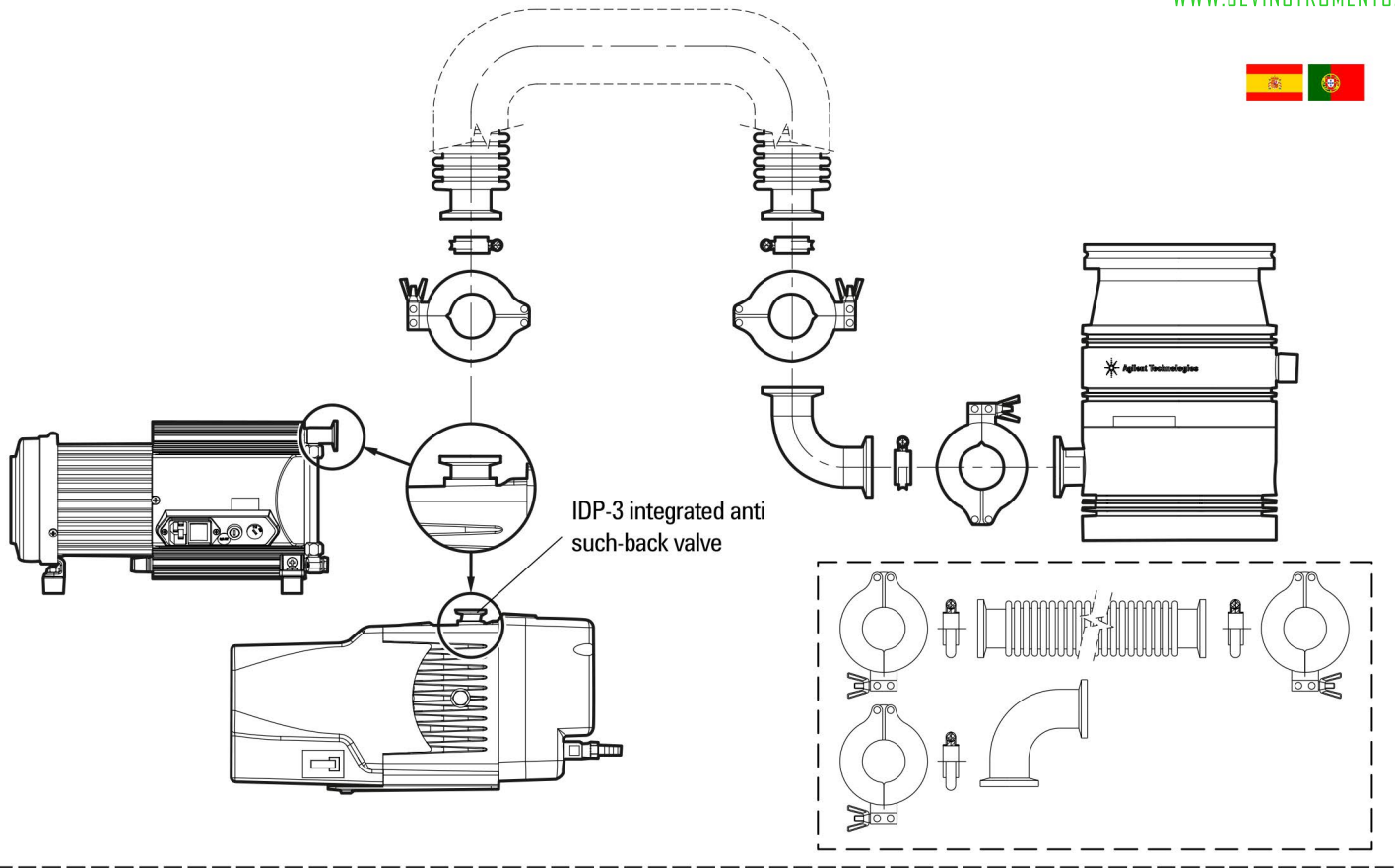
Find parts to assemble the mating-connector in accessory bag



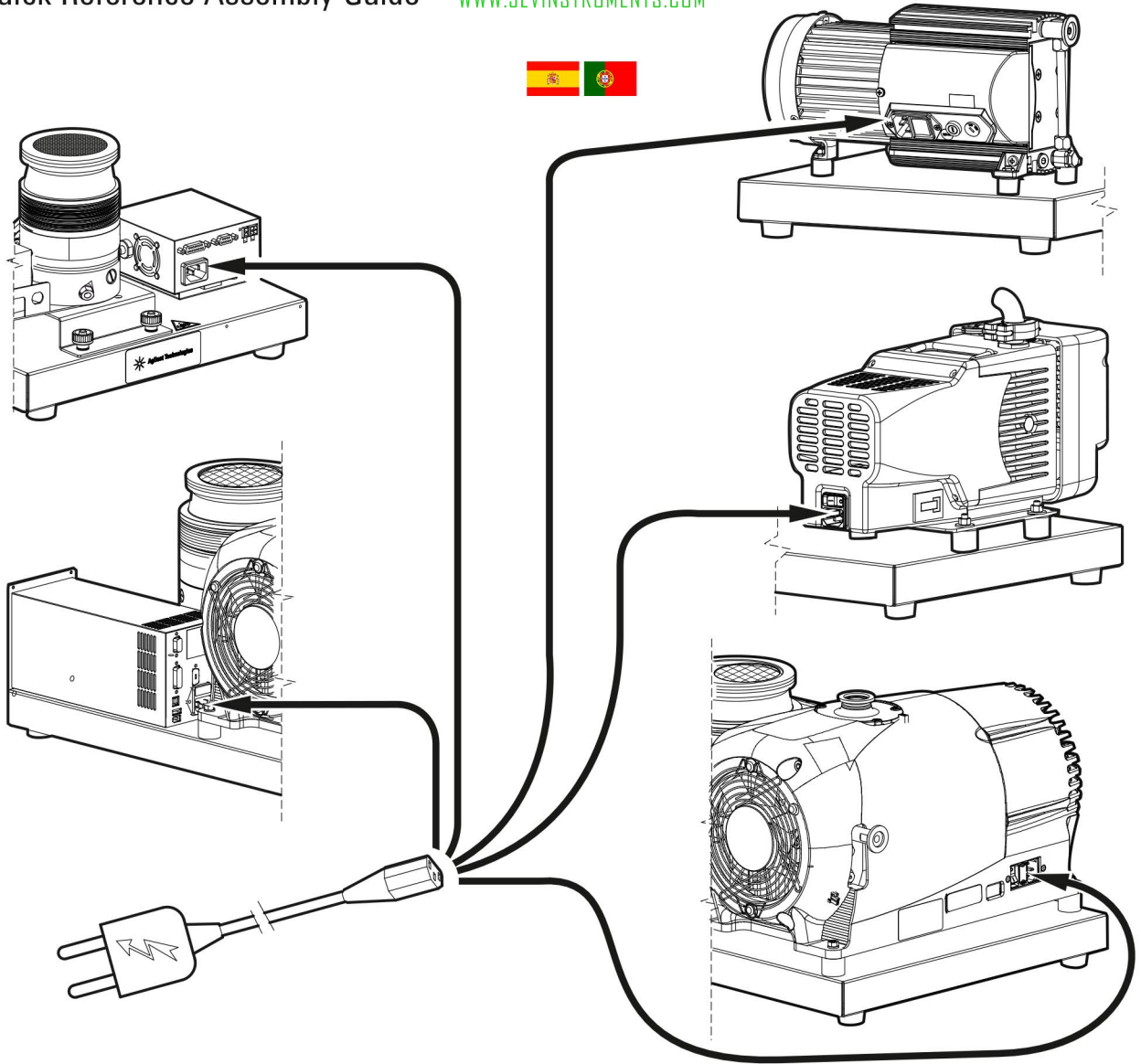
# Agilent TPS-flexy Quick Reference Assembly Guide



# Agilent TPS-flexy Quick Reference Assembly Guide

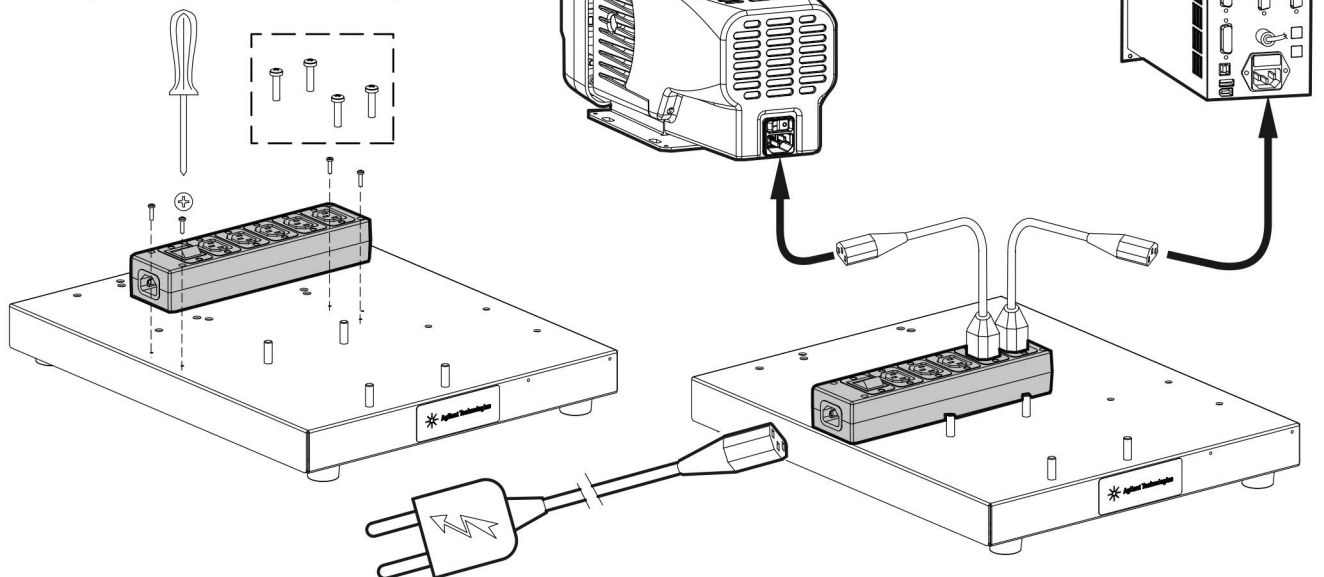


# Agilent TPS-flexy Quick Reference Assembly Guide



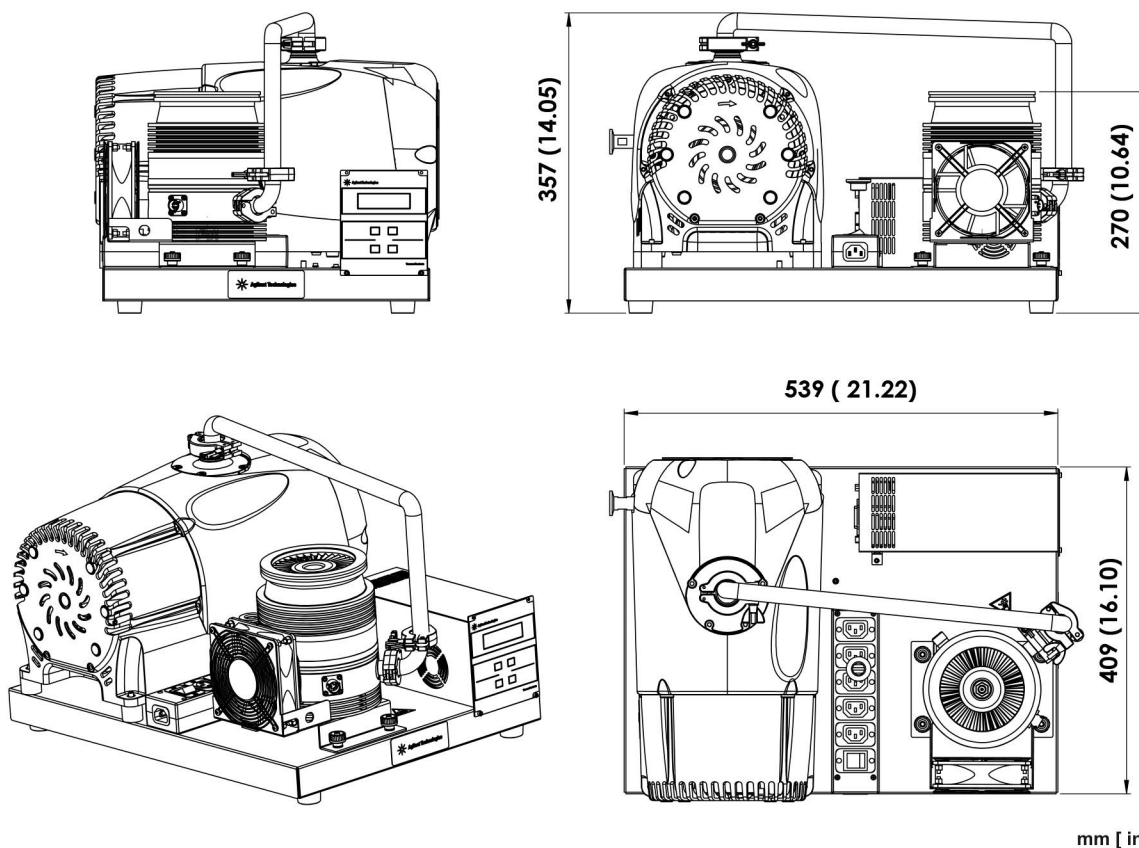
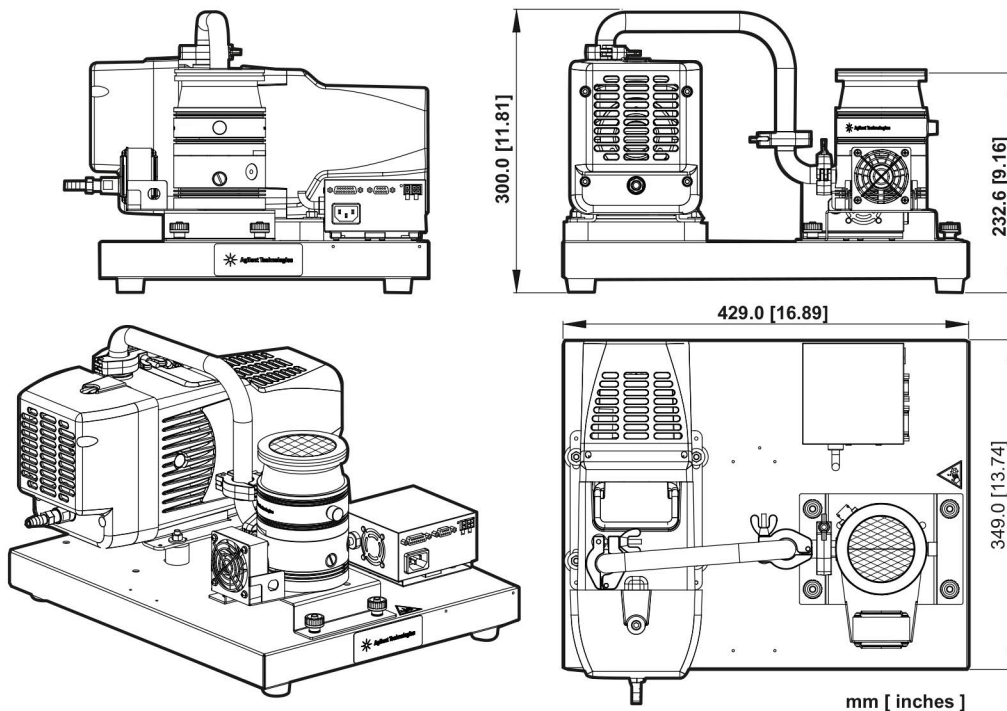
## OPTION

SR03741796





# Agilent TPS-flexy Quick Reference Assembly Guide



**WARNING**

**Danger due to open high vacuum flange**  
 The rotor of the turbopump turns at high speed. If the high vacuum flange is open, there is a danger of cut injuries and that the pump can be destroyed by objects falling into it.  
 → Never operate the pump with an open high vacuum flange.









[WWW.JEVINSTRUMENTS.COM](http://WWW.JEVINSTRUMENTS.COM)



# Agilent TPS-flexy

## Quick Reference Assembly Guide



[WWW.JEVINSTRUMENTS.COM](http://WWW.JEVINSTRUMENTS.COM)



United States  
Agilent Technologies  
121 Hartwell Avenue, Lexington MA 02421, USA  
Tel: +1 781 861 7200, Fax: +1 781 860 5437  
Toll free: +1 800 882 7426

Europe and other countries  
Agilent Technologies Italia SpA  
via F.lli Varian 54, 10040 Leini, (Torino), Italy  
Tel: +39 011 9979 111, Fax: +39 011 9979 350  
Toll free: 00 800 234 234 00

China  
Agilent Technologies Co. Ltd.  
No.3, Wang Jing Bei Lu, Chao Yang District,  
Beijing, 100102, China  
Tel: +86 (0) 10 64397888, Fax: +86 (0) 10 64392765  
Toll free: 400 820 6778 (mobile)  
Toll free: 800 820 6778 (landline)

This information is subject to change without notice.

© Agilent Technologies, Inc. 2020  
Published in Italy, July 2020



**Agilent Technologies**