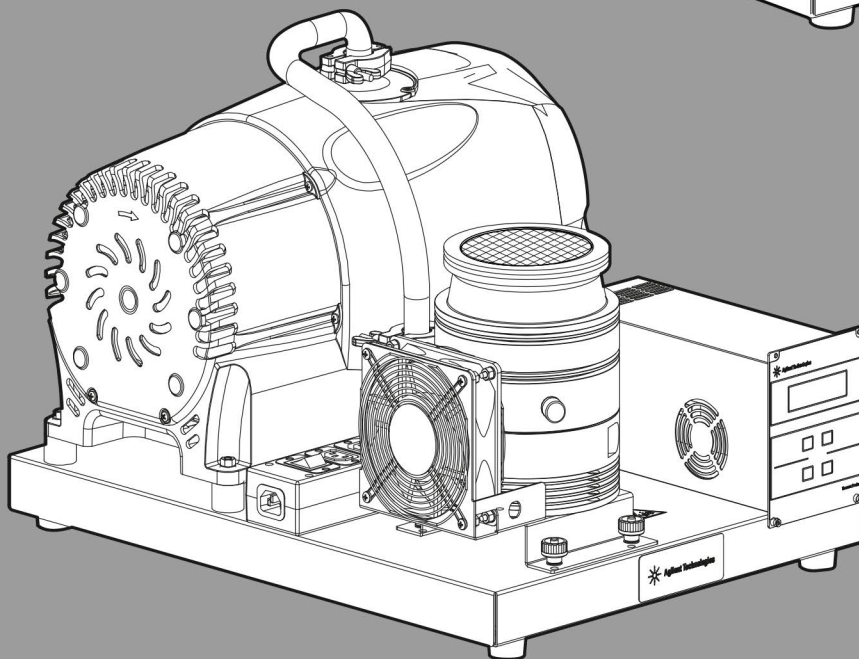
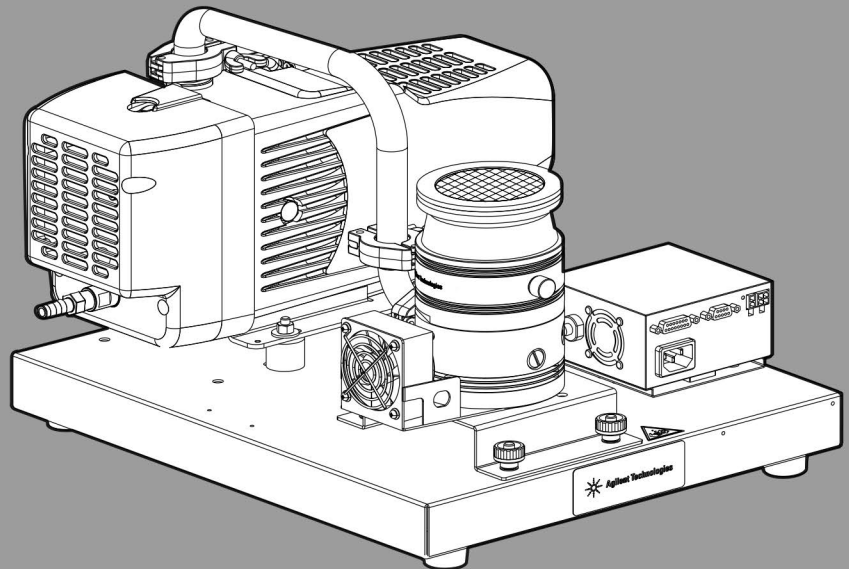




Agilent TPS-flexy

Quick Reference Assembly Guide



WWW.JEVINSTRUMENTS.COM



United States

Toll free: +1 800 882 7426

Europe and other countries

Toll free: 00 800 234 234 00

China

Toll free: 400 820 6778 (mobile)

Toll free: 800 820 6778 (landline)



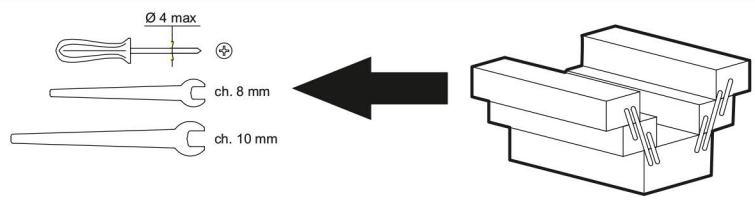
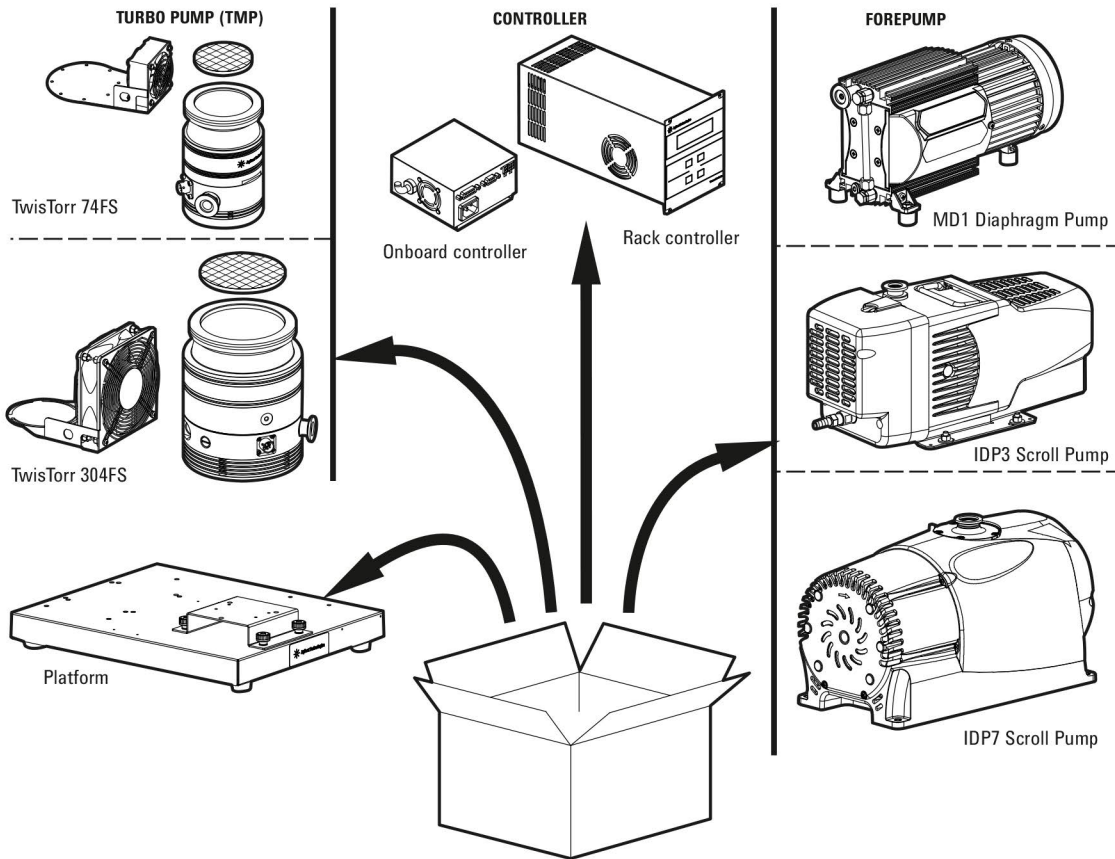
Agilent Technologies

Code 87-900-149-01 (B) 10/2018

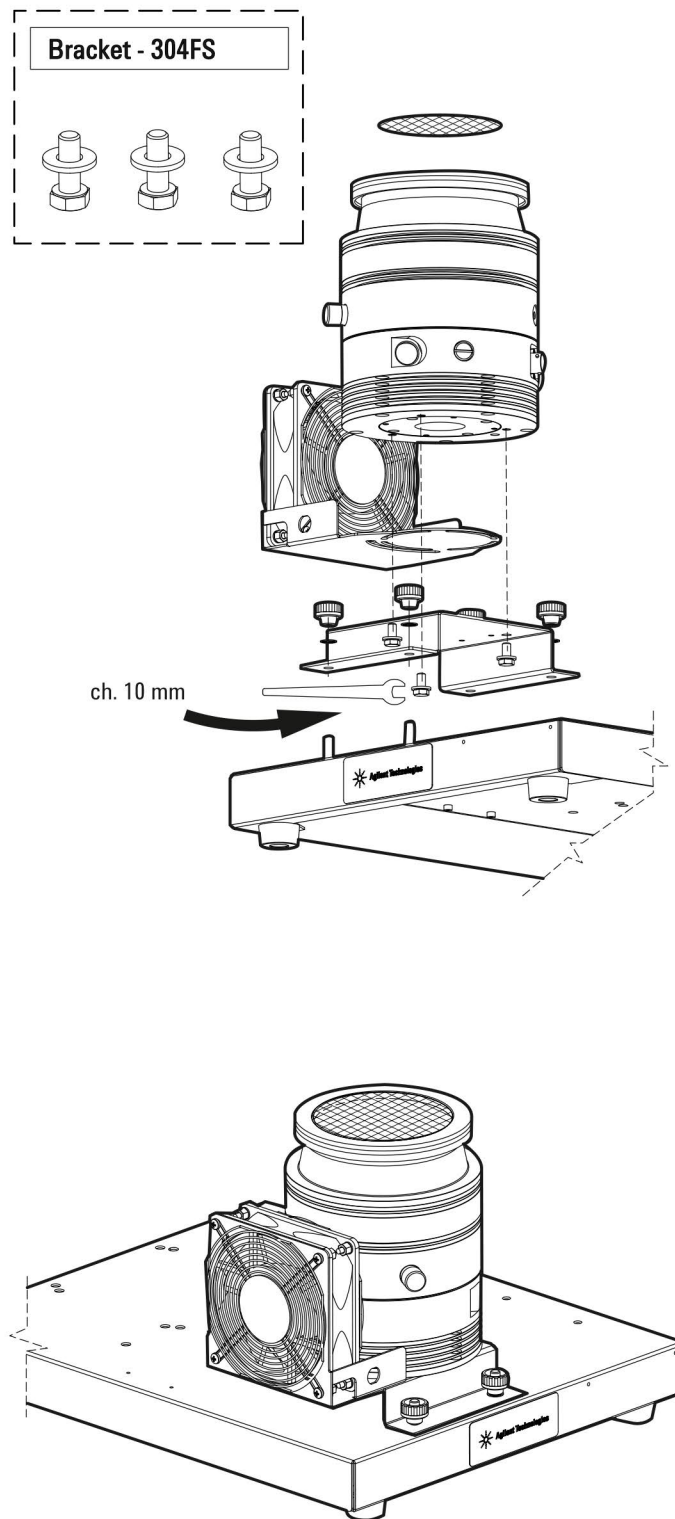
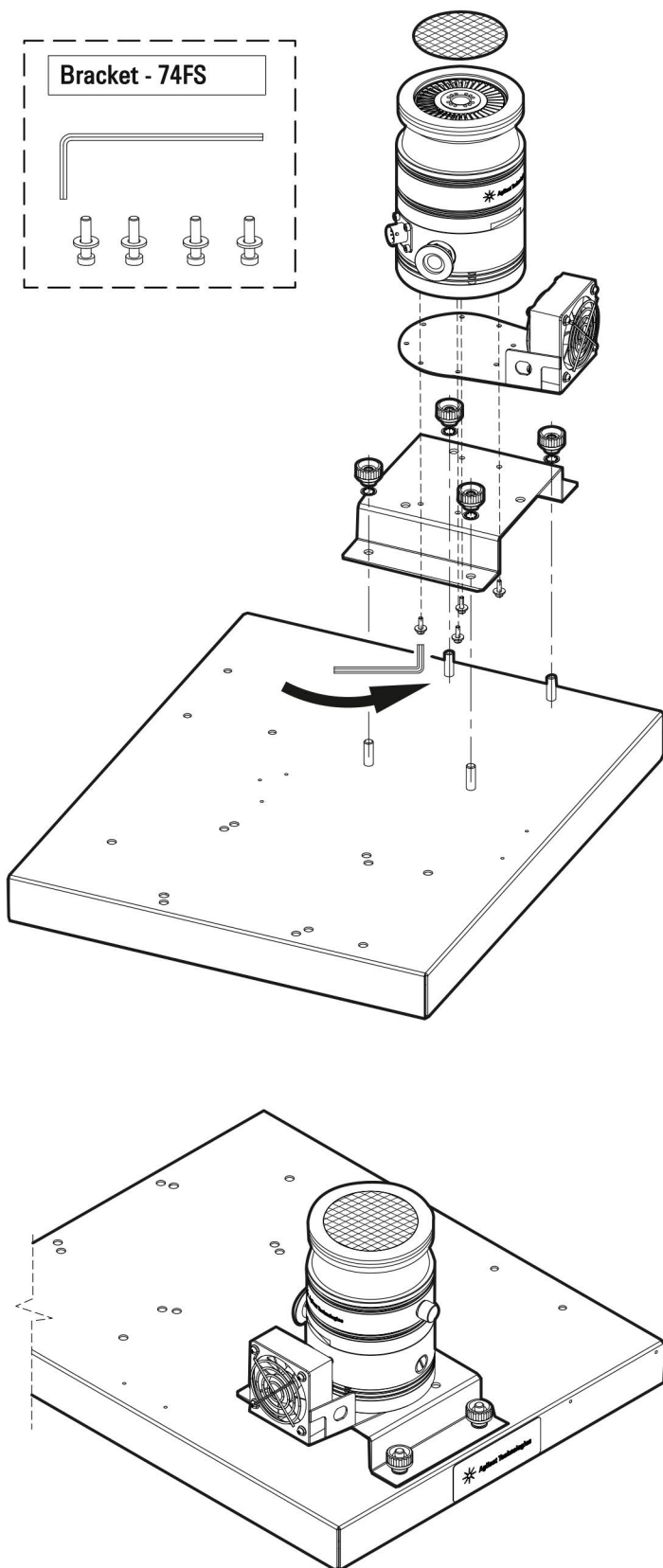
Agilent TPS-flexy Quick Reference Assembly Guide



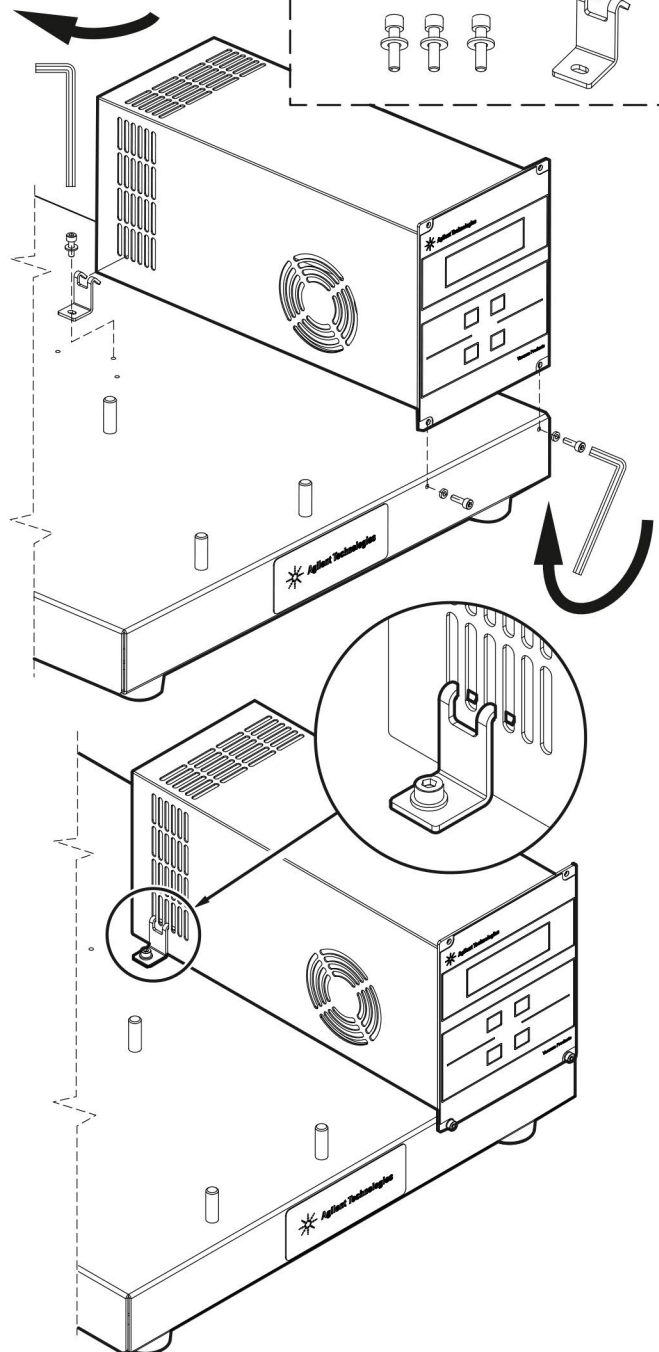
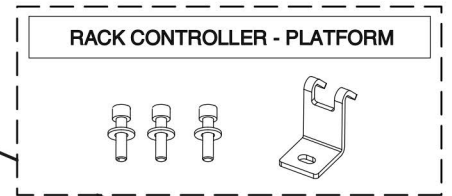
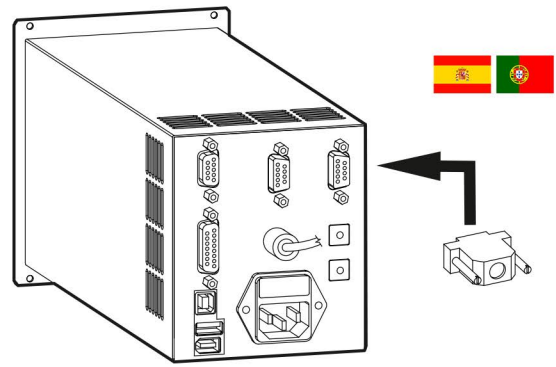
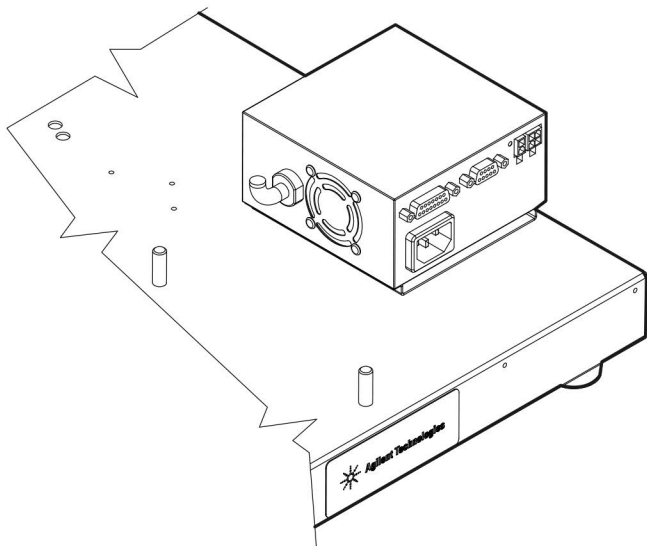
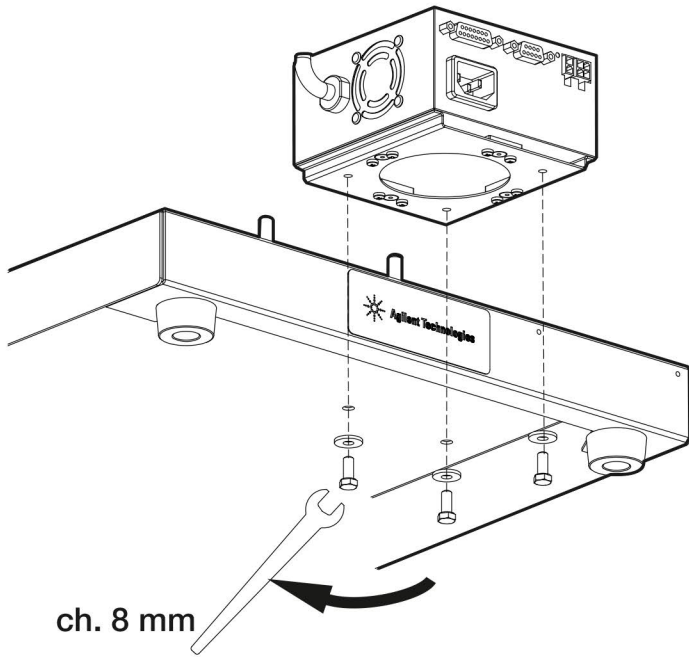
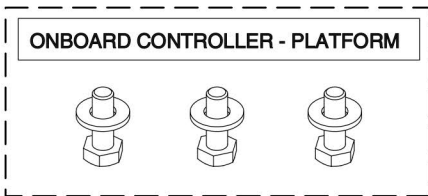
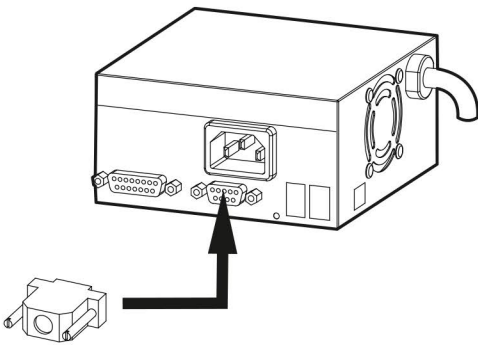
P/N	TPS-flexy description	TMP	Inlet Flange	TMP Controller	Voltage	Forepump type
X1699-64077	TPS-flexy turbo pumping system, TwisTorr 74FS KF40, IDP3, 240V, onboard controller	74FS	KF40	74FS onboard C/U	240V	IDP3
X1699-64078	TPS-flexy turbo pumping system, TwisTorr 74FS KF40, IDP3, 240V, Rack controller	74FS	KF40	74FS Rack C/U	240V	IDP3
X1699-64079	TPS-flexy turbo pumping system, TwisTorr 74FS CFF4.5, IDP3, 240V, onboard controller	74FS	CFF4.5	74FS onboard C/U	240V	IDP3
X1699-64080	TPS-flexy turbo pumping system, TwisTorr 74FS ISO63, IDP3, 120V, onboard controller	74FS	ISO63	74FS onboard C/U	120V	IDP3
X1699-64081	TPS-flexy turbo pumping system, TwisTorr 74FS KF40, IDP3, 120V, onboard controller	74FS	KF40	74FS onboard C/U	120V	IDP3
X1699-64082	TPS-flexy turbo pumping system, TwisTorr 74FS KF40, IDP3, 120V, Rack controller	74FS	KF40	74FS Rack C/U	120V	IDP3
X1699-64083	TPS-flexy turbo pumping system, TwisTorr 74FS CFF4.5, IDP3, 120V, onboard controller	74FS	CFF4.5	74FS onboard C/U	120V	IDP3
X1699-64084	TPS-flexy turbo pumping system, TwisTorr 74FS ISO63, MD1, 120-240V, onboard controller	74FS	ISO63	74FS onboard C/U	120-240V	MD1
X1699-64085	TPS-flexy turbo pumping system, TwisTorr 74FS KF40, MD1, 120-240V, Rack controller	74FS	KF40	74FS Rack C/U	120-240V	MD1
X1699-64086	TPS-flexy turbo pumping system, TwisTorr 74FS KF40, MD1, 120-240V, Rack controller	74FS	KF40	74FS Rack C/U	120-240V	MD1
X1699-64087	TPS-flexy turbo pumping system, TwisTorr 74FS CFF4.5, MD1, 120-240V, onboard controller	74FS	CFF4.5	74FS onboard C/U	120-240V	MD1
X1699-64088	TPS-flexy turbo pumping system, TwisTorr 74FS ISO63, IDP3, 240V, Rack controller	74FS	ISO63	74FS Rack C/U	240V	IDP3
X1699-64089	TPS-flexy turbo pumping system, TwisTorr 74FS CFF4.5, IDP3, 240V, Rack controller	74FS	CFF4.5	74FS Rack C/U	240V	IDP3
X1699-64090	TPS-flexy turbo pumping system, TwisTorr 74FS ISO63, IDP3, 120V, Rack controller	74FS	ISO63	74FS Rack C/U	120V	IDP3
X1699-64091	TPS-flexy turbo pumping system, TwisTorr 74FS CFF4.5, IDP3, 120V, Rack controller	74FS	CFF4.5	74FS Rack C/U	120V	IDP3
X1699-64092	TPS-flexy turbo pumping system, TwisTorr 74FS ISO63, MD1, 120-240V, Rack controller	74FS	ISO63	74FS Rack C/U	120-240V	MD1
X1699-64093	TPS-flexy turbo pumping system, TwisTorr 74FS CFF4.5, MD1, 120-240V, Rack controller	74FS	CFF4.5	74FS Rack C/U	120-240V	MD1
X1699-64100	TPS-flexy turbo pumping system, TwisTorr 74FS CFF2.75, IDP3, 240V, Rack controller	74FS	CFF2.75	74FS Rack C/U	240V	IDP3
X1699-64101	TPS-flexy turbo pumping system, TwisTorr 74FS CFF2.75, IDP3, 240V, Rack controller	74FS	CFF2.75	74FS Rack C/U	240V	IDP3
X1699-64102	TPS-flexy turbo pumping system, TwisTorr 74FS CFF2.75, MD1, 240V, Rack controller	74FS	CFF2.75	74FS Rack C/U	240V	MD1
X1699-64103	TPS-flexy turbo pumping system, TwisTorr 74FS CFF4.5, IDP7, 120-240V, Rack controller	74FS	CFF4.5	74FS Rack C/U	120-240V	IDP7
X1699-64104	TPS-flexy turbo pumping system, TwisTorr 74FS KF40, IDP7, 120-240V, Rack controller	74FS	KF40	74FS Rack C/U	120-240V	IDP7
X1699-64105	TPS-flexy turbo pumping system, TwisTorr 74FS CFF2.75, IDP7, 120-240V, onboard controller	74FS	CFF2.75	74FS onboard C/U	120-240V	IDP7
X1699-64106	TPS-flexy turbo pumping system, TwisTorr 74FS CFF2.75, IDP7, 120-240V, Rack controller	74FS	CFF2.75	74FS Rack C/U	120-240V	IDP7
X1699-64107	TPS-flexy turbo pumping system, TwisTorr 74FS KF40, IDP7, 120-240V, onboard controller	74FS	KF40	74FS onboard C/U	120-240V	IDP7
X1699-64032	TPS-flexy turbo pumping system, TwisTorr 304FS ISO100, IDP7, 120-240V, onboard controller	304FS	ISO100	304 FS on-board C/U	120-240V	IDP7
X1699-64033	TPS-flexy turbo pumping system, TwisTorr 304FS ISO100, IDP7, 120-240V, Rack controller	304FS	ISO100	304 FS AG Rack C/U	120-240V	IDP7
X1699-64034	TPS-flexy turbo pumping system, TwisTorr 304FS CFF6, IDP7, 120-240V, onboard controller	304FS	CFF6	304 FS on-board C/U	120-240V	IDP7
X1699-64035	TPS-flexy turbo pumping system, TwisTorr 304FS ISO100, IDP3, 240V, onboard controller	304FS	ISO100	304 FS on-board C/U	240V	IDP3
X1699-64036	TPS-flexy turbo pumping system, TwisTorr 304FS ISO100, IDP3, 240V, Rack controller	304FS	ISO100	304 FS AG Rack C/U	240V	IDP3
X1699-64037	TPS-flexy turbo pumping system, TwisTorr 304FS CFF6, IDP3, 240V, onboard controller	304FS	CFF6	304 FS on-board C/U	240V	IDP3
X1699-64046	TPS-flexy turbo pumping system, TwisTorr 304FS CFF6, IDP7, 120-240V, Rack controller	304FS	CFF6	304 FS AG Rack C/U	120-240V	IDP7
X1699-64047	TPS-flexy turbo pumping system, TwisTorr 304FS CFF6, IDP3, 240V, Rack controller	304FS	CFF6	304 FS AG Rack C/U	240V	IDP3
X1699-64074	TPS-flexy turbo pumping system, TwisTorr 304FS CFF6, IDP10, 120-240V, Rack controller	304FS	CFF6	304 FS AG Rack C/U	120-240V	IDP10
X1699-64075	TPS-flexy turbo pumping system, TwisTorr 304FS ISO100, IDP3, 120V, Rack controller	304FS	ISO100	304 FS AG Rack C/U	120V	IDP3



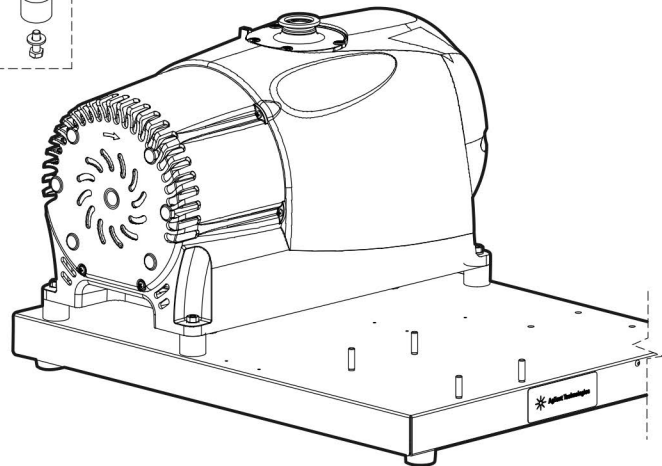
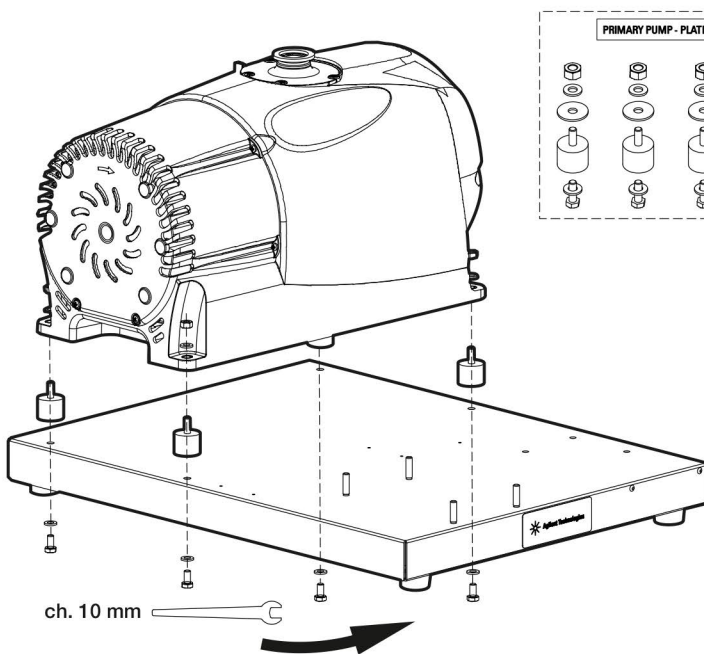
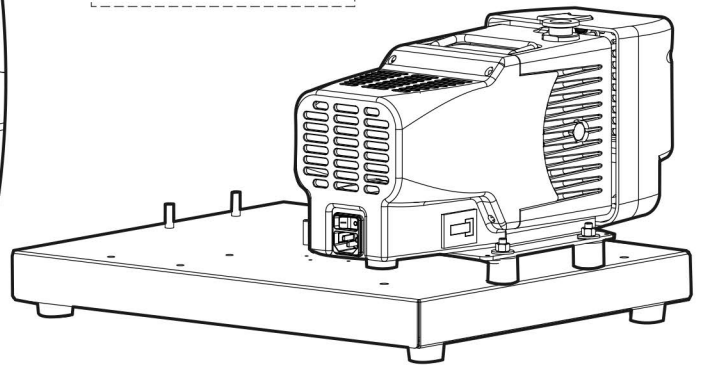
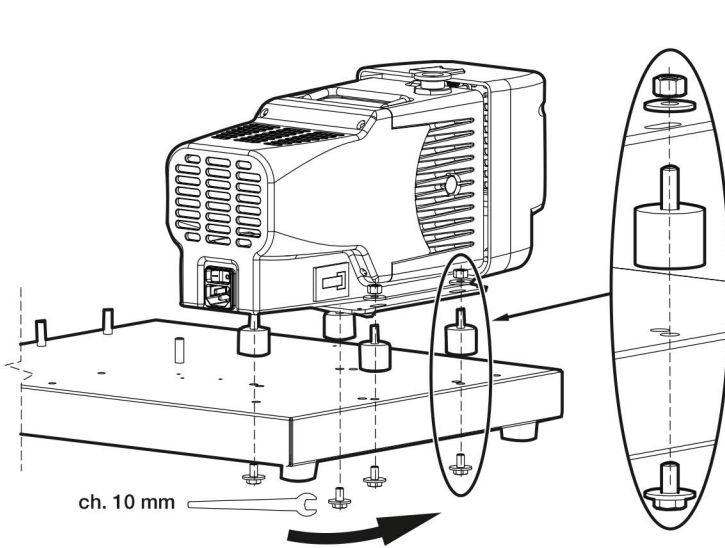
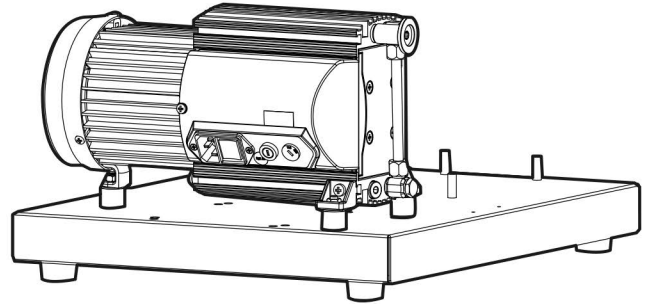
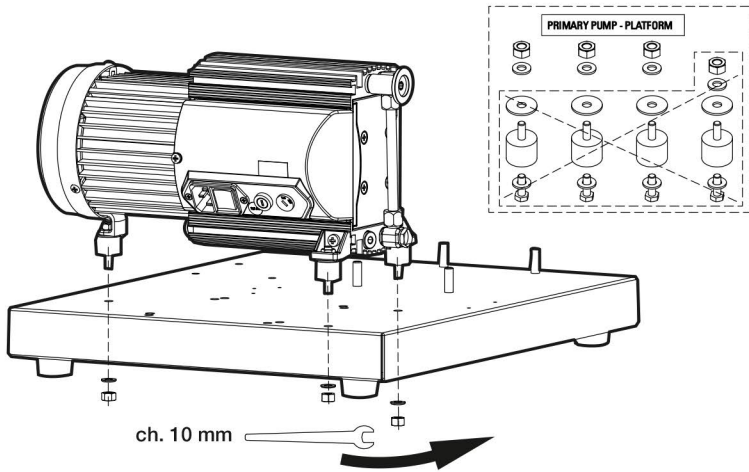
Agilent TPS-flexy Quick Reference Assembly Guide



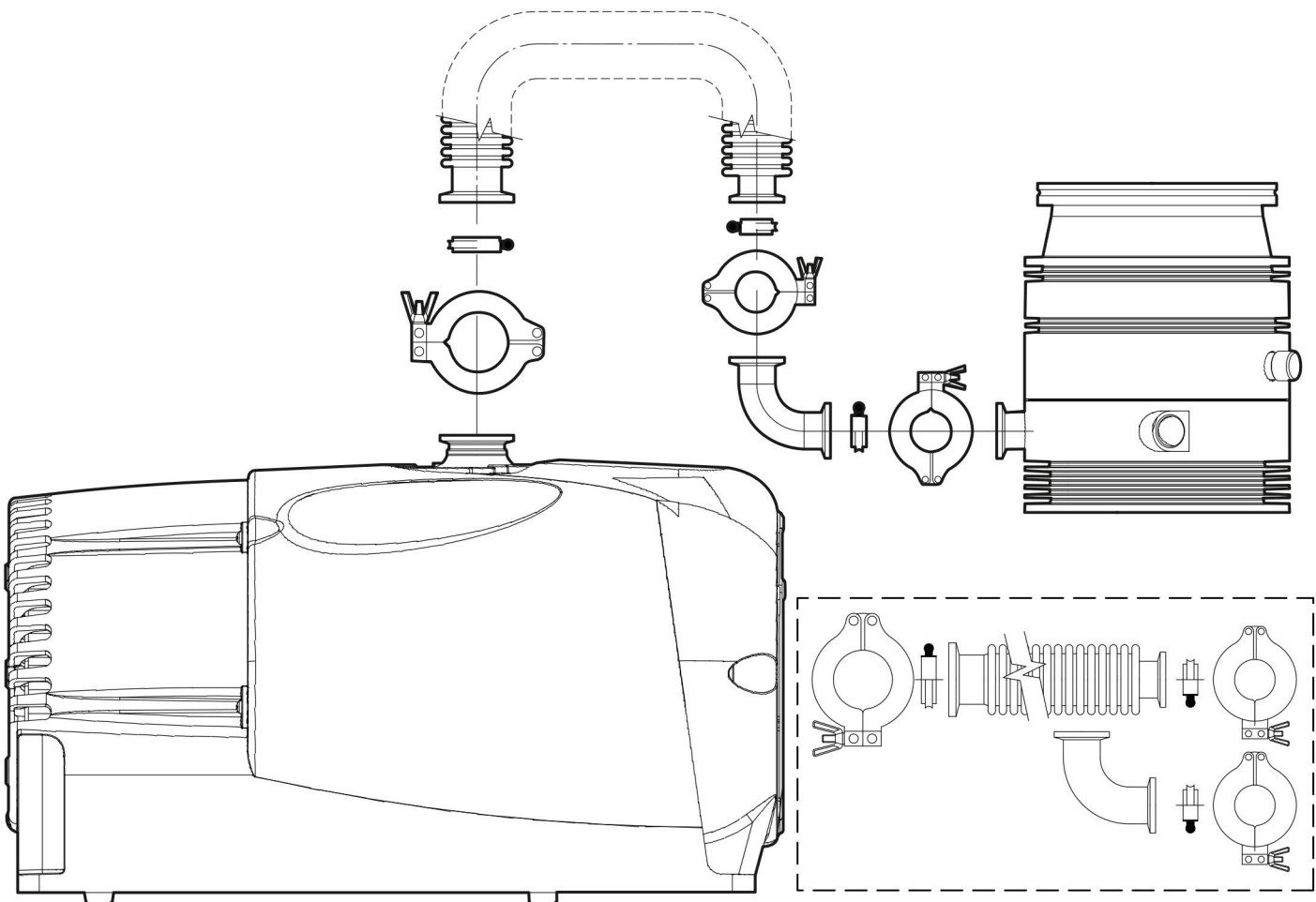
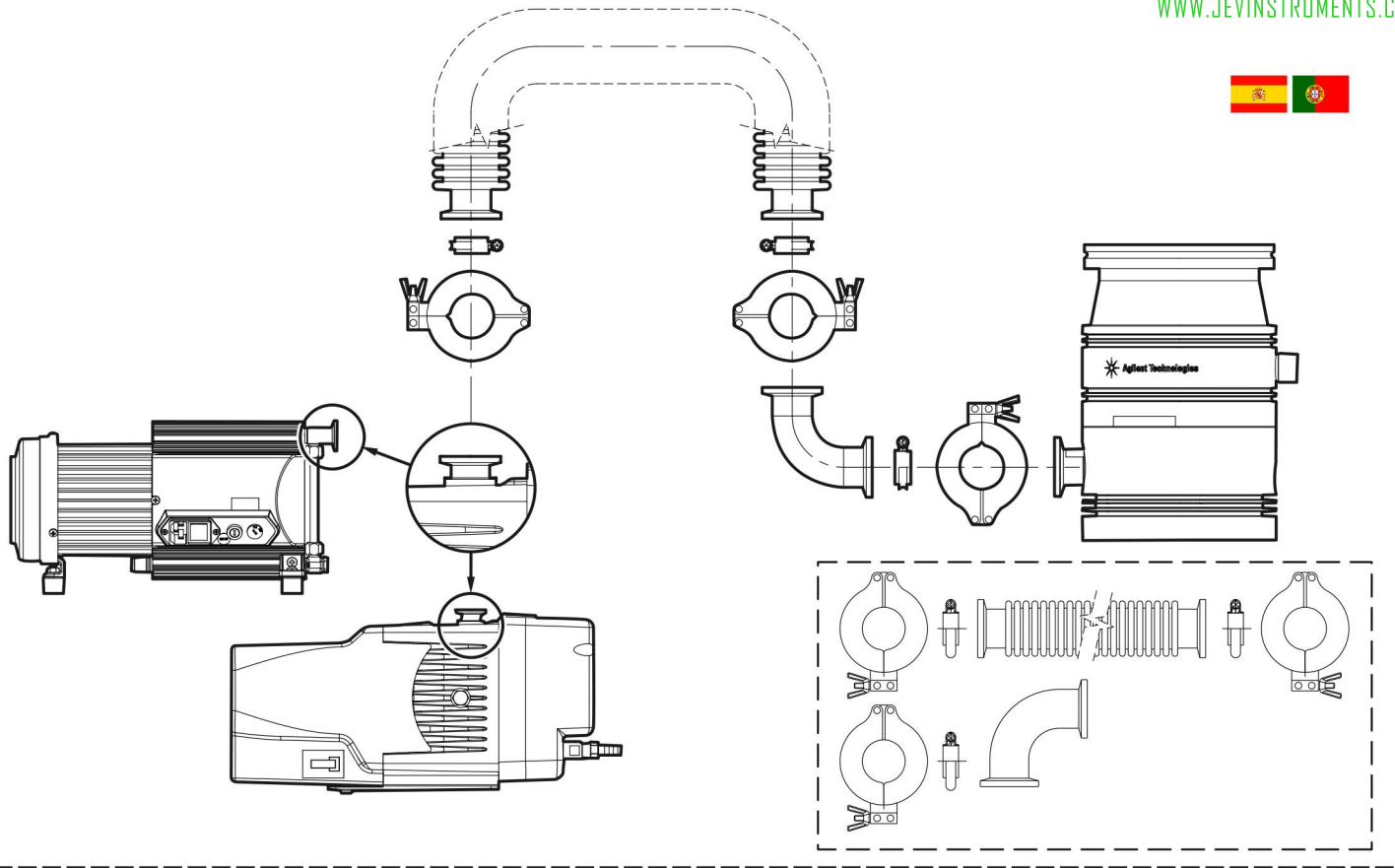
Agilent TPS-flexy Quick Reference Assembly Guide



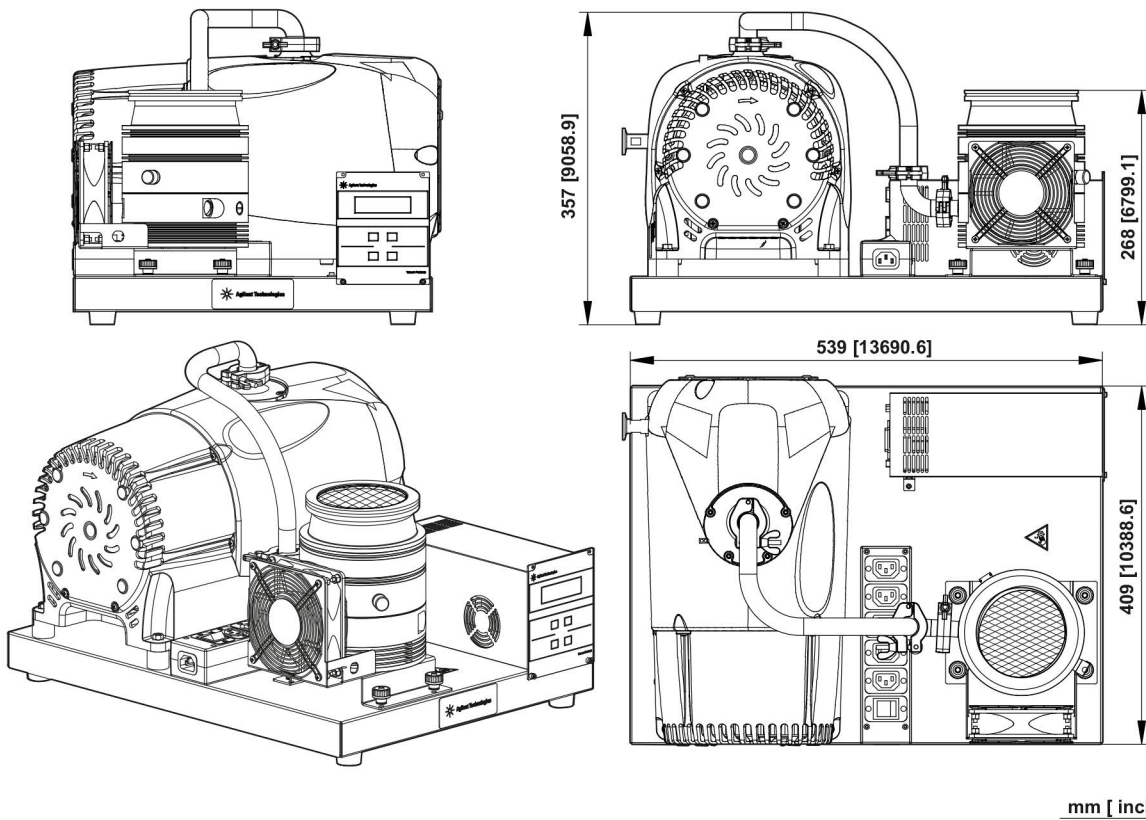
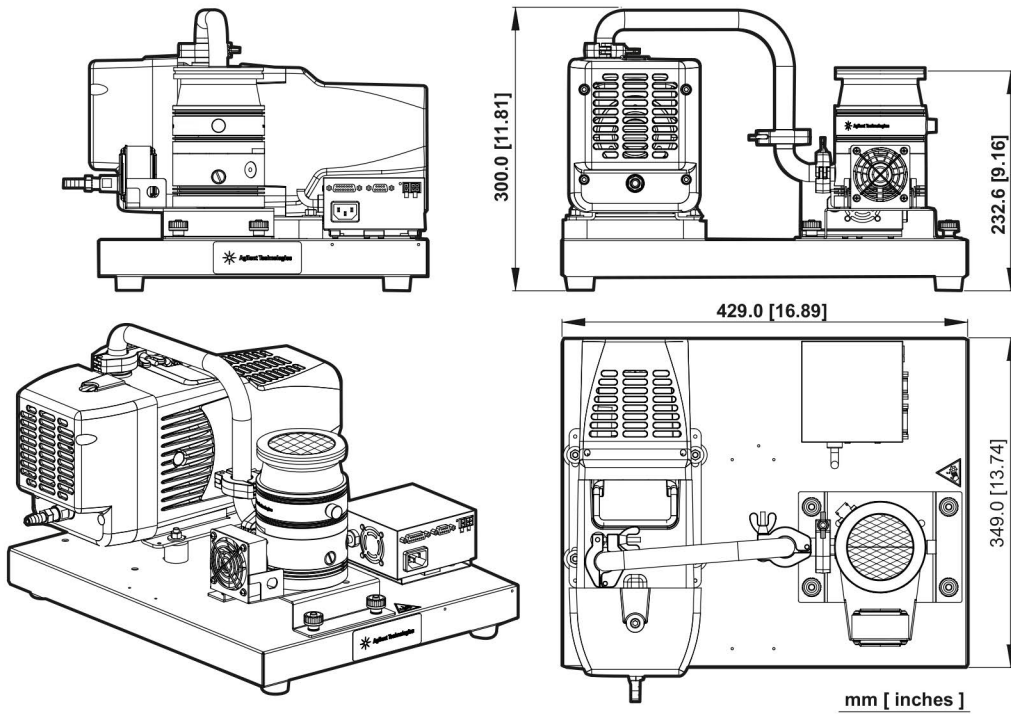
Agilent TPS-flexy Quick Reference Assembly Guide



Agilent TPS-flexy Quick Reference Assembly Guide



Agilent TPS-flexy Quick Reference Assembly Guide



WARNING

Danger due to open high vacuum flange
 The rotor of the turbopump turns at high speed. If the high vacuum flange is open, there is a danger of cut injuries and that the pump can be destroyed by objects falling into it.
 → Never operate the pump with an open high vacuum flange.



WWW.JEVINSTRUMENTS.COM



Agilent TPS-flexy

Quick Reference Assembly Guide



WWW.JEVINSTRUMENTS.COM



United States
Agilent Technologies
121 Hartwell Avenue, Lexington MA 02421, USA
Tel: +1 781 861 7200, Fax: +1 781 860 5437
Toll free: +1 800 882 7426

Europe and other countries
Agilent Technologies Italia SpA
via F.lli Varian 54, 10040 Leini, (Torino), Italy
Tel: +39 011 9979 111, Fax: +39 011 9979 350
Toll free: 00 800 234 234 00

China
Agilent Technologies Co. Ltd.
No.3, Wang Jing Bei Lu, Chao Yang District,
Beijing, 100102, China
Tel: +86 (0) 10 64397888, Fax: +86 (0) 10 64392765
Toll free: 400 820 6778 (mobile)
Toll free: 800 820 6778 (landline)

This information is subject to change without notice.

© Agilent Technologies, Inc. 2018
Published in Italy, October 2018



Agilent Technologies