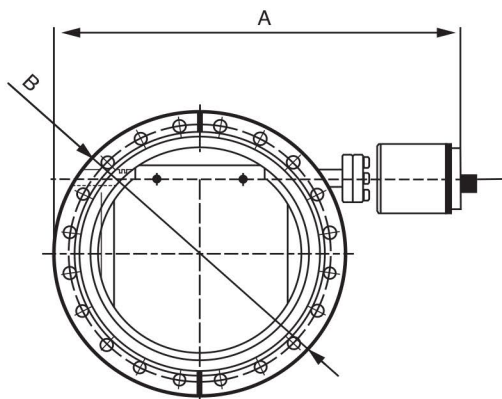


Viewport shutters are used to protect the internal surface of a viewport from build-up of deposition material ejected during thin film processing of substrates. The shutter design is built to allow the widest possible viewing angle, and the maximum level of protection of the viewing area.



Product Overview

- UHV rotary drive with integrated stop position
- Formed internal shield to allow maximum viewing angle and internal surface protection
- Easy installation mounted beneath a standard VACGEN viewport



WWW.JEVINSTRUMENTS.COM



Technical Data for Viewport Shutter	
Shutter	Stainless steel
Mounting seal	OFHC gasket (Both side)
Operate pressure range	760 Torr- 1×10^{-10} Torr, 1,000 mbar- 1.33×10^{-10} mbar, 100kPa- 1.3×10^{-9} kPa
Leak rate	1×10^{-10} Torr L/s, He, 33×10^{-10} mbar l/s, He, 1.13×10^{-9} kPa
Operational temperature Range	0°C - 200°C
Bake Temperature	250°C
Body material	304L
Feedthrough	UHV Rotary Drive
Mounting position	Any

Viewport Shutter			
DN Type	Length mm A	Flange OD mm B	Order Code
DN63	197	114	ZVPS63
DN100	235	152	ZVPS100
DN150	285	202	ZVPS150

Fast Entry Air Lock Door

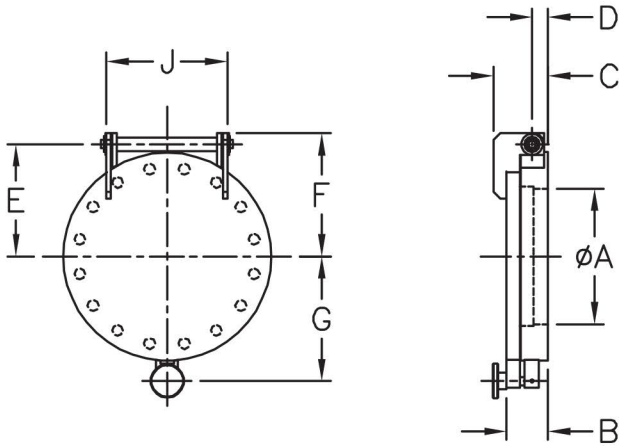


The HD range of fast entry lock doors can be used to load items into a prep chamber. The door is sealed by a reusable Viton® O-ring. This is an ideal solution for a load lock to keep the main system under UHV conditions.



Product Overview

- Bakeout 200°C
- 304L material
- Viton® O-ring
- M8 Tapped mounting flange



Fast Entry Air Lock Door									
Mounting flange mm	A mm	B mm	C mm	D mm	E mm	F mm	G mm	J mm	Order Code
114	61.2	28.5	37	8.5	65.8	73.5	71.9	69	ZHD64
152	99.4	30.5	40	11.5	82.3	90.3	91.3	88.5	ZHD100
203	149.7	32.5	47.5	13.5	112.5	120.5	116.8	121.8	ZHD150



WWW.JEVINSTRUMENTS.COM

