

RD93 Manual Rotary Drive

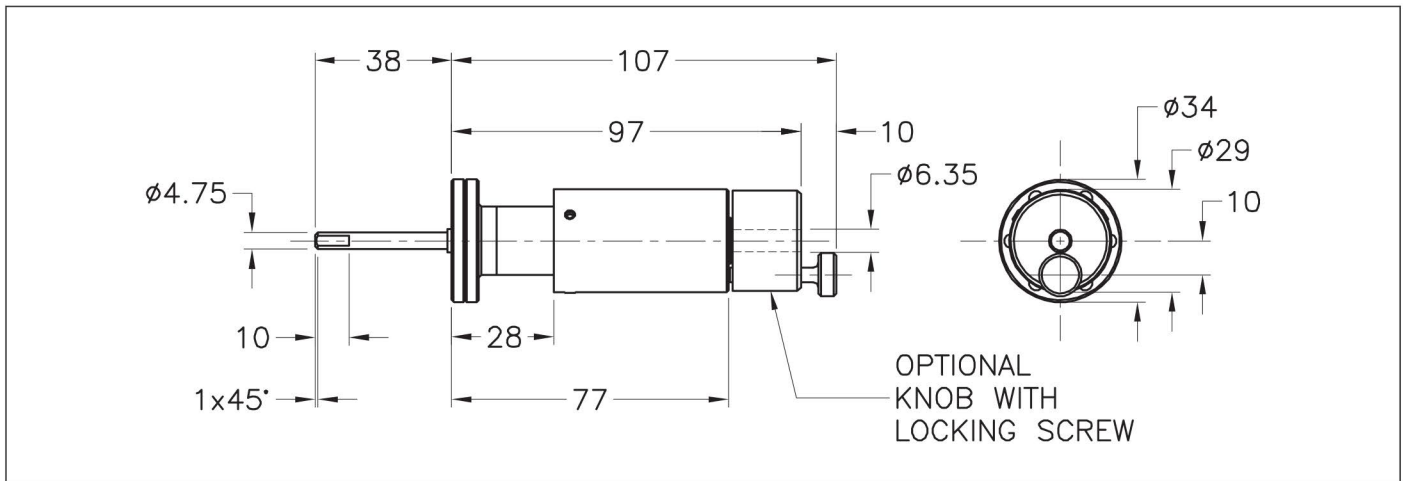


The RD93 is a low cost, edge welded bellows rotary drive, with removable manual thimble and locking screw to give input shaft option.



Product Overview

- Torque 0.1Nm hand turned
- Torque 0.01Nm at 300 rpm
- Range of HV and UHV flanges
- Fully bakeable to 250 °C standard, 400°C with actuator removed
- Dimensionally compatible to other miniature drives
- Dual shaft option
- Thrust 16N



RD93 Series Rotary Drive

Flange OD mm	Notes	Order Code
34		ZRD93
34	Input Shaft	ZRD93P
70		ZRD932