

RD1 Primary Rotary Drive



The RD1 is a manual or motorised high precision rotary drive. A position lock is fitted. The main shaft can be extended to suit custom requirements.

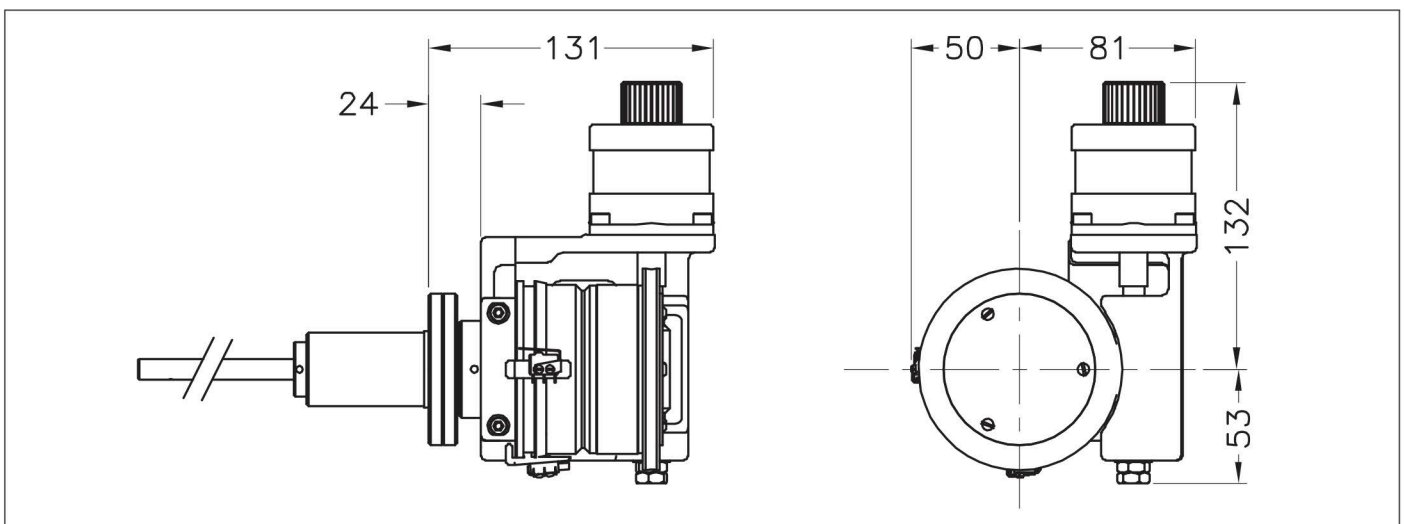


The RD1 is a low backlash, high precision edge welded bellows drive providing continuous primary rotation to a 9.52 mm diameter shaft.

Product Overview

- Low backlash
- Continuous rotation to 500rpm
- 70mm OD flange
- Graduated handwheel with Vernier scale
- Motorisation is available to give 0.01° resolution
- Axial load: rotary shaft 40N
- Bakeable to 230°C (motors removed)
- Stepper motor kits with optional encoders
- Suitable for VACGEN sample handling
- Bearing housing can be fitted to for longer shaft lengths

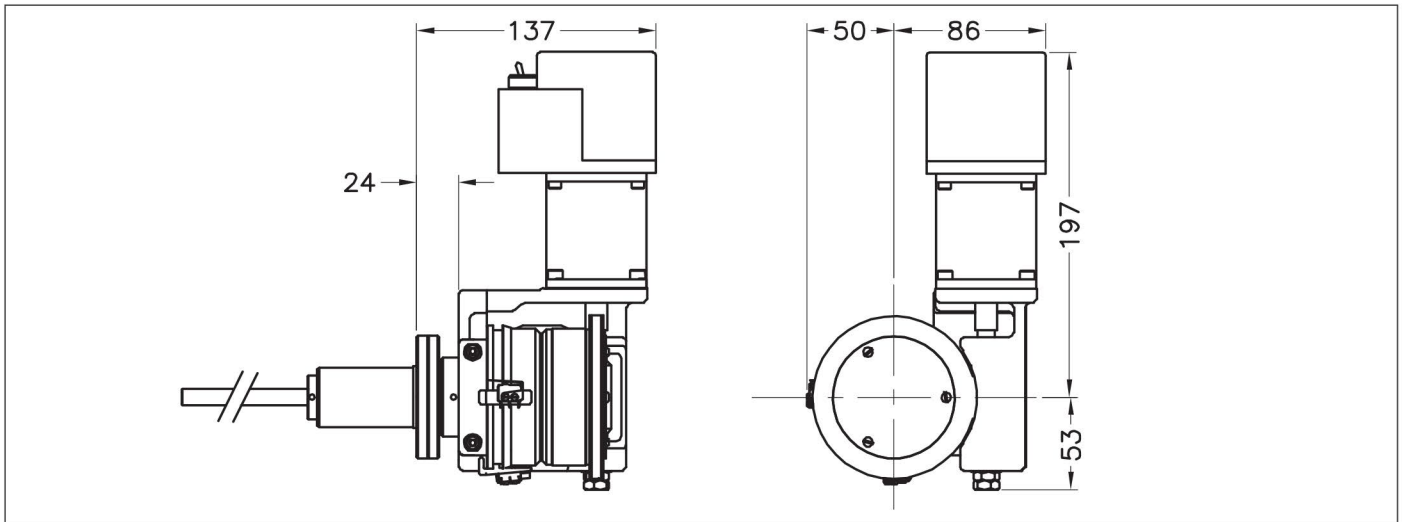
RD1 with stepper motor



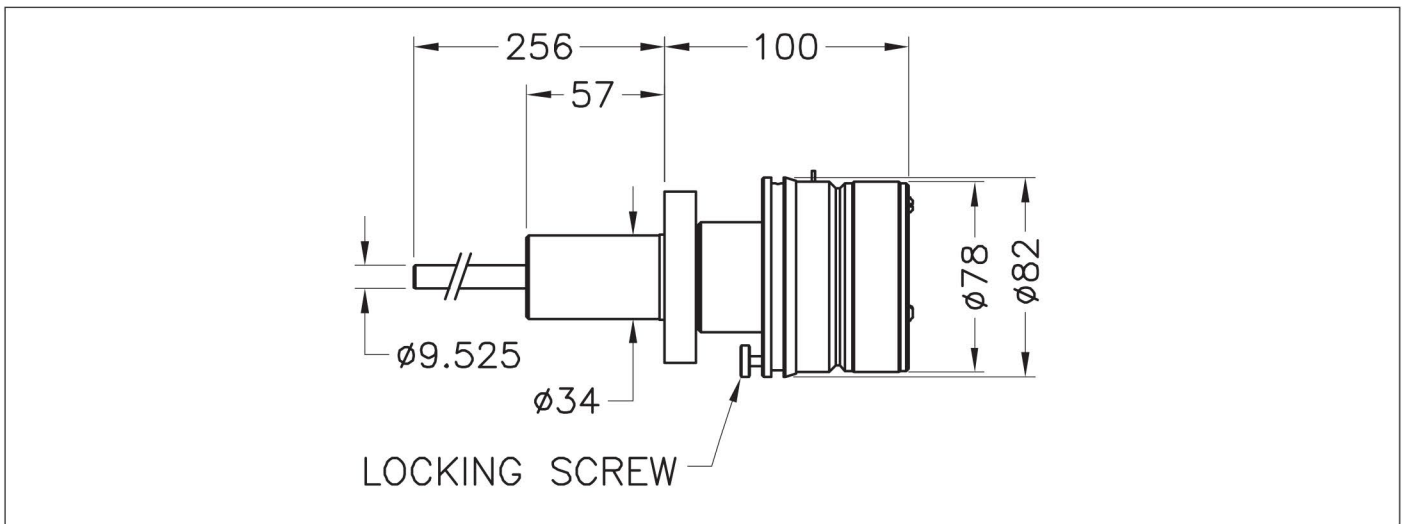
RD1 Primary Rotary Drive



RD1 with DC motor



RD1 Manual



RD1 (Primary) Series Rotary Drive and Motorisation

Flange OD mm	Rotation Range Degrees	Resolution Degrees	Torque Nm 100rpm	Torque Nm 10rpm	Order Code
70	360 *	0.1	0.5	5	ZRD1
Stepper Motor Kit	+/-168	0.01	4 at 16 rpm max	4 at 16 rpm max	ZRDPMKW
Stepper motor with encoder	+/- 168	0.01	4 at 16 rpm max	4 at 16 rpm max	ZRDPMKE

* Continuous rotation where wiring and/or cooling is not fitted